



MADE IN THE USA

Product Description:

- Kit Includes:
 - FD-062 Respiratory Hygiene Station - Locking
 - Holds one hand sanitizer bottle, two boxes of masks, and one - two boxes of tissues
 - Hinged locking lid over face masks and tissues and an adjustable locking lid to secure the hand sanitizer bottle
 - Keyholes and screw holes for wall mounting, can sit on a counter, or can be mounted to a floor stand
 - Quartz Beige ABS Plastic and Clear PETG Plastic Lid
 - MP-070 Sign Holder - Vertical
 - Holds 8.5" x11" signage
 - Clear PETG Plastic
- Assembly hardware included

Primary Area for Product Usage:

- All ports of entry
- Anywhere respiratory hygiene products are needed

Dispenses:

- Left: Bottles no larger than 3.75"W x 9.00"H x 3.75"D (9.5 cm x 22.9 cm x 9.5 cm)
- Middle: Box(es) no larger than 7.75"W x 4.00"H x 4.75"D (19.7 cm x 10.2 cm x 12.1 cm)
- Right: Box(es) no larger than 5.50"W x 10.00"H x 4.75"D (14.0 cm x 25.4 cm x 12.1 cm)

Product Specifications (overall assembled dimensions):

- 17.52"W x 21.36"H x 5.62"D (44.5 cm x 54.2 cm x 14.3 cm)
- 4.3 lbs (2.0 kg) - approximated

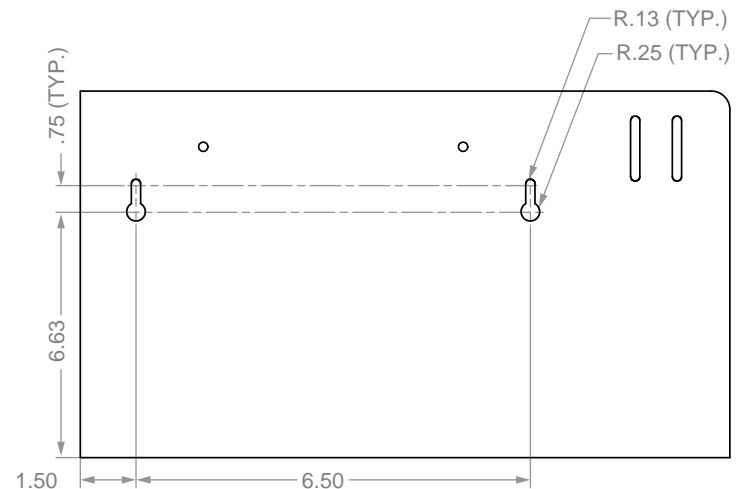
Package Specifications:

- Package Quantity: 1 per case
- 10"L x 21"W x 14"H (25.4 cm x 53.3 cm x 35.6 cm)
- 10.0 lbs (4.5 kg) - approximated



Sanitizer, face masks, and tissues not included

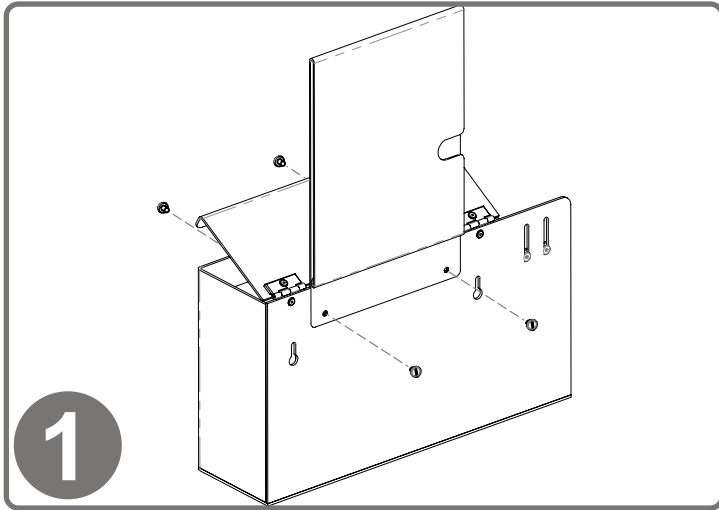
Mounting Specifications:



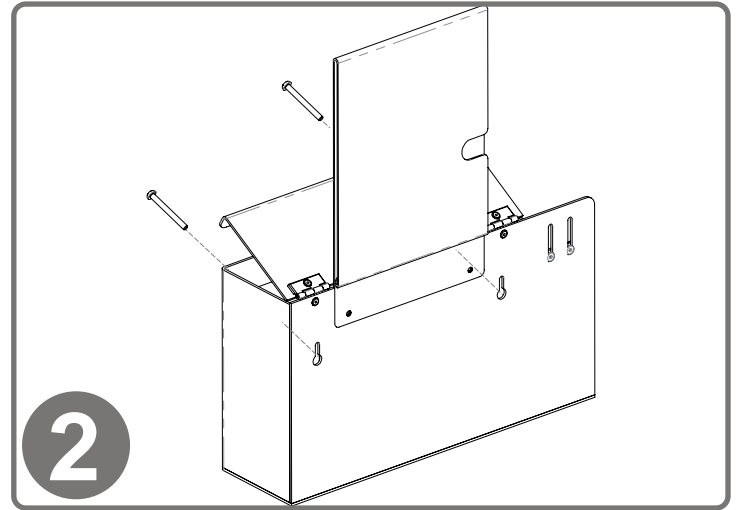


Installation

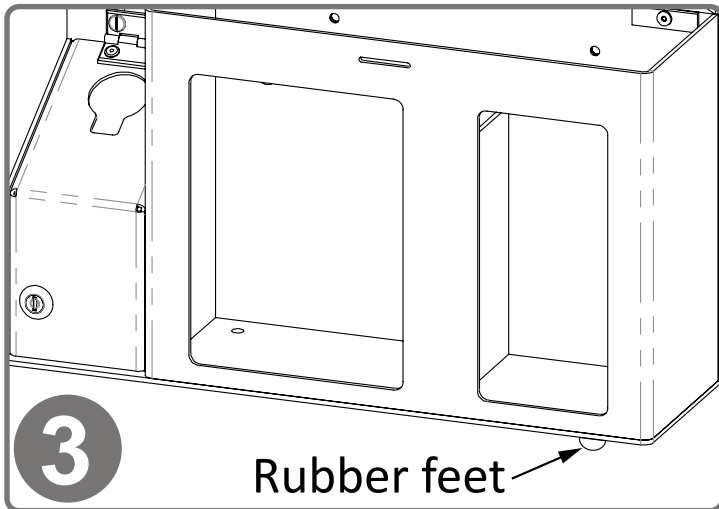
Always mount dispensers securely *prior* to loading with product.



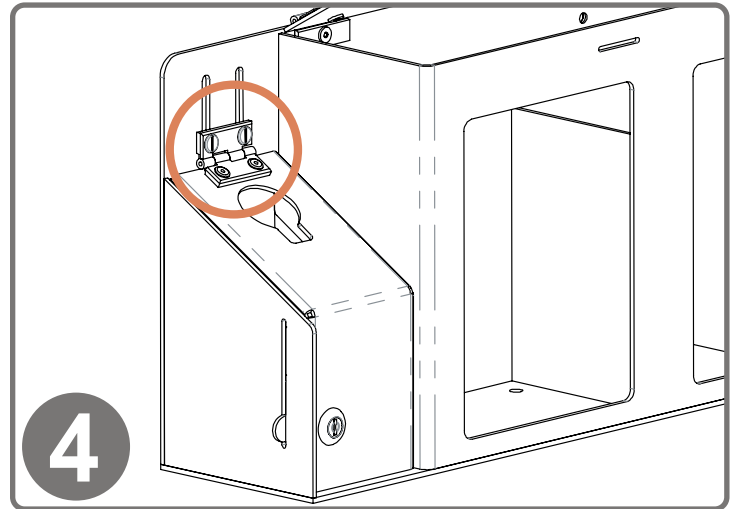
To mount the MP-070 Sign Holder, align the mounting holes of the holder with the holes on the top back of the dispenser. Attach using (2x) barrel screws included with sign holder.



Dispenser can also be mounted securely to a wall through keyholes and screw holes in back with screws approved and supplied by building maintenance.



For placing on counter, attach (4x) self-adhesive rubber feet at each of the bottom corners (included).



Once mounted, load consumables. Bottle cover height is adjustable by loosening top screws on hinge and sliding along slots. Tighten when desired height is set.

Parts included:

- Respiratory Hygiene Station
- Sign Holder
- Hardware
 - (4x) rubber feet
 - (2x) barrel screws

Tools Required:

- Flathead Screwdriver

**FD-062**

ABS Plastic

MP-070

PETG Plastic

Material Characteristics**Designed for Long-Term, Heavy-Duty Applications**

The combination of copolymers (Acrylonitrile, Butadiene, and Styrene) gives ABS an excellent combination of strength, rigidity, and toughness.

ABS is chemical and stress-crack resistant. It is tough, dimensionally stable, and will hold up to long-term use. It possesses high strength and performance characteristics at a reasonable cost.

Designed for Long-Term, Heavy-Duty Applications

Copolyester resin is designed for heavy-duty applications, and is used by BOWMAN® Dispensers. We never use acrylic in our products.

Copolyester (PETG) is typically 15-20 times tougher than general purpose acrylic. PETG is made to withstand handling and reduce losses due to breakage.

PETG resists a variety of chemicals and commonly used cleaning agents. It is tough and durable (not brittle), providing years of trouble-free functionality and long life.

Clear optical characteristics mean the viewer can see the content, read text, and see true colors through the material. It complies with FDA regulations for food contact.

Care and Cleaning

Use mild soap and water to clean. Petroleum-based oils, solvents, and paints should not be used.

Standard hospital cleaning supplies can be used.

Most cleaning chemicals do not weaken the surface or cause damage to the material. Suggested cleaning method is to use a soft cloth, warm water, and mild soap.