



MADE IN THE USA

### Alternative Products (each sold separately):

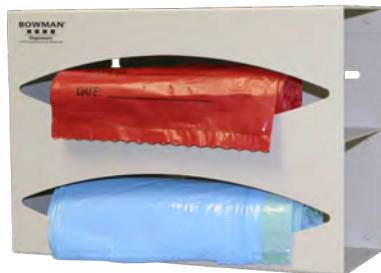
- BG001-0111: Bag Dispenser - Single, Clear PETG Plastic
- BG001-0212: Bag Dispenser - Single, Quartz Beige ABS Plastic
- BG002-0512: Bag Dispenser - Double, Quartz Beige Powder-Coated Aluminum



BG001-0111



BG001-0212



BG002-0512

### Product Description:

- Bag Dispenser - Single
- Holds a single roll of bags (up to 9.50" long and 3.40" in diameter)
- Two-way keyholes for vertical or horizontal wall mounting
- Quartz Beige Powder-Coated Aluminum

### Primary Area for Product Usage:

- Any location which requires bags for storage or refuse at the point of use: laboratory, food service, O.R., clinical areas, dental, veterinary

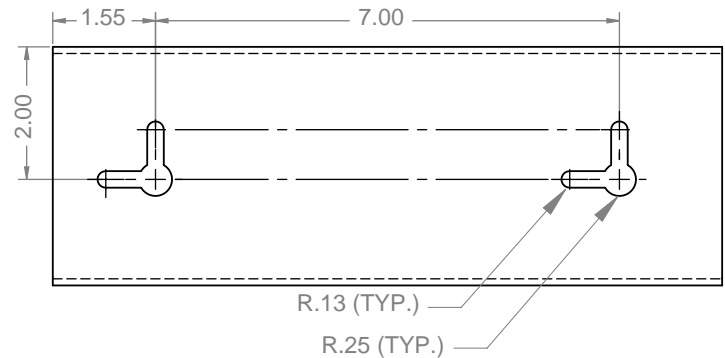
### Dispenses:

- Single roll of individual-sized biohazard, linen, or refuse bags
- Roll no larger than 9.50"W x Ø3.40" (24.1 cm x 8.6 cm)

### Product Specifications (overall external dimensions):

- 10.06"W x 3.50"H x 3.88"D (25.6 cm x 8.9 cm x 9.9 cm)
- 0.9 lbs (0.4 kg) - approximated

### Mounting Specifications:



### Package Specifications:

- Package Quantity: 12 per case
- 16"W x 12"H x 12"D (40.6 cm x 30.5 cm x 30.5 cm)
- 13.0 lbs (5.9 kg) - approximated

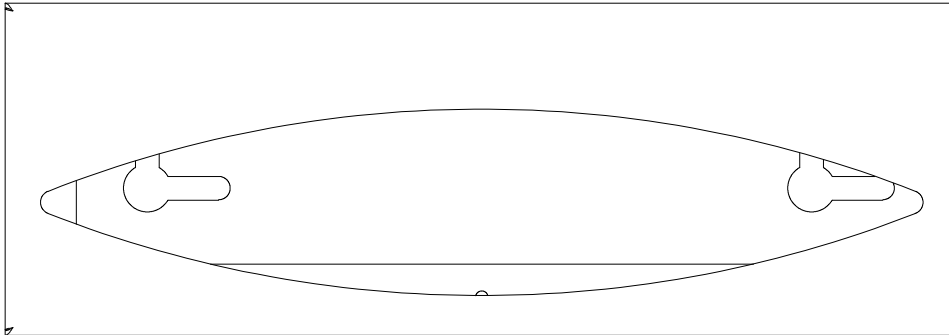




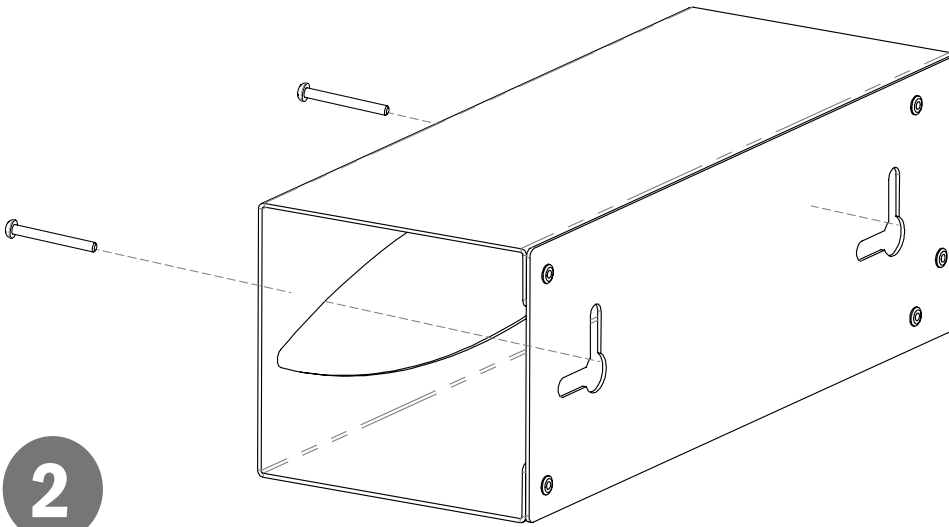
## Installation

Always mount dispensers securely *prior* to loading with product.

- Curved cutout opening contains roll while dispensing and permits easy access.

**1**

- Mount securely to a wall with screws approved and supplied by building maintenance.

**2**

### Parts included:

- Dispenser

### Tools Required:

- No tools required to assemble dispenser

## Care and Construction

Powder-Coated Aluminum

### Material Characteristics

#### Designed for Long-Term Use

Our powder-coated aluminum dispensers resist corrosion, chipping, and flaking. It is lightweight, yet high in strength. This material will provide long-lasting products that hold up well, even in tough environments.

Powder-coated aluminum is ideal for dispensers used in a healthcare or industrial settings. It is impact resistant and is not affected by extremes in temperature.

Dispensers made of powder-coated aluminum are clean, bright, and attractive, creating a professional appearance.

### Care and Cleaning

For best results, clean by washing the surface with a diluted solution of a mild, non-abrasive detergent in cold or warm water and a non-abrasive cloth. Standard hospital cleaning supplies can be used.

Dry with a soft cloth. Do not use any solvent-based materials, abrasives (e.g. Scotch-brite, steel wool), or apply excessive force during cleaning.