



MADE IN THE USA

### Product Description:

- Bag Dispenser - Single - Large
- Holds a single roll of bags up to 12.00" long and 6.00" in diameter
- Two-way keyholes for vertical or horizontal wall mounting (Please note: For bags heavier than 4.5 lbs., dispenser should be mounted vertically to adequately disperse roll weight and allow for proper bag dispensing.)
- Quartz Beige Powder-Coated Aluminum

### Primary Area for Product Usage:

- Any location which requires bags for storage, protection, or refuse at the point of use: laboratory, food service, O.R., clinical areas, dental, veterinary

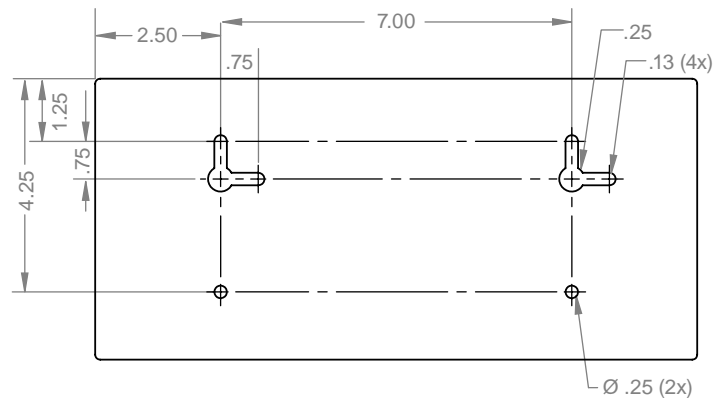
### Dispenses:

- Single roll of individual-sized biohazard, linen, or refuse bags
- Rolls no larger than 12.00"W x Ø6.00" (30.5 cm x 12.7 cm)

### Product Specifications (overall external dimensions):

- 12.00"W x 6.35"H x 6.40"D (30.5 cm x 16.1 cm x 16.3 cm)
- 1.6 lbs (0.7 kg) - approximated

### Mounting Specifications:



### Alternative Products (each sold separately):

- BG001-0512: Bag Dispenser - Single, Quartz Beige Powder-Coated Aluminum
- BG002-0512: Bag Dispenser - Double, Quartz Beige ABS Plastic



BG001-0512



BG002-0512

### Package Specifications:

- Package Quantity: 4 per case
- 20"W x 16"H x 12"D (50.8 cm x 40.6 cm x 30.5 cm)
- 9.0 lbs (4.1 kg) - approximated

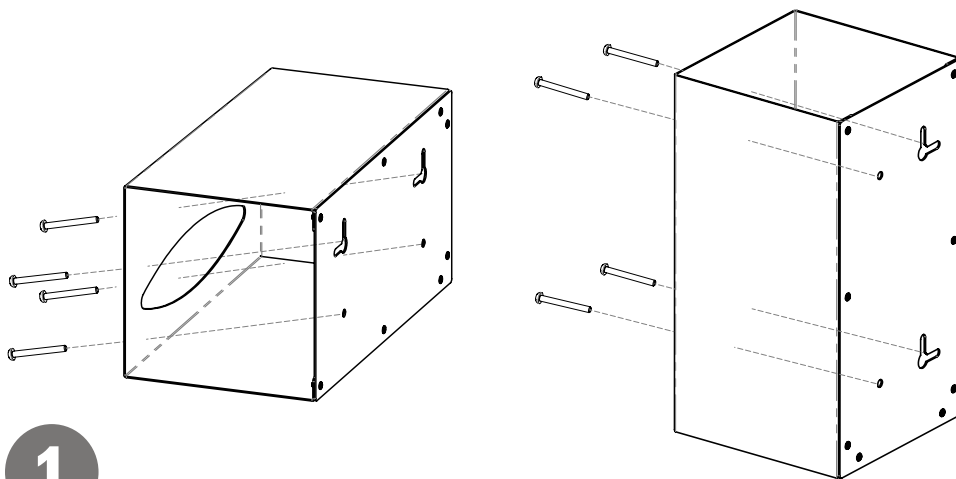




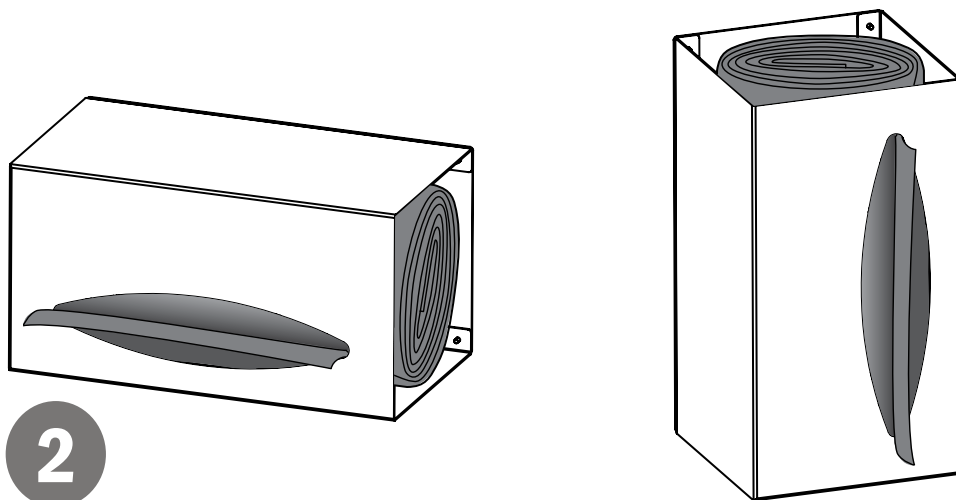
### Installation

Always mount dispensers securely *prior* to loading with product.

- Mount securely to a wall with screws approved and supplied by building maintenance.



- Insert bag roll so the dispensing bag is coming from the bottom of the roll.
- For bags weighing over 4.5 lbs., mount the dispenser vertically. Load the roll so the bags pull from the right side as shown.



#### Parts included:

- Dispenser

#### Tools Required:

- No tools required to assemble dispenser

### Care and Construction

Powder-Coated Aluminum

#### Material Characteristics

##### Designed for Long-Term Use

Our powder-coated aluminum dispensers resist corrosion, chipping, and flaking. It is lightweight, yet high in strength. This material will provide long-lasting products that hold up well, even in tough environments.

Powder-coated aluminum is ideal for dispensers used in a healthcare or industrial settings. It is impact resistant and is not affected by extremes in temperature.

Dispensers made of powder-coated aluminum are clean, bright, and attractive, creating a professional appearance.

#### Care and Cleaning

For best results, clean by washing the surface with a diluted solution of a mild, non-abrasive detergent in cold or warm water and a non-abrasive cloth. Standard hospital cleaning supplies can be used.

Dry with a soft cloth. Do not use any solvent-based materials, abrasives (e.g. Scotch-brite, steel wool), or apply excessive force during cleaning.