



MADE
IN THE USA

Product Description:

- Face Mask Dispenser - Earloop Style
- Holds one box of earloop style face masks
- Keyholes for wall mounting
- White Powder-Coated Steel

Primary Area for Product Usage:

- Anywhere protective equipment is needed

Dispenses:

- Box(es) no larger than 7.50"W x 6.25"H x 4.00"D (19.1 cm x 15.9 cm x 10.2 cm)
- Box(es) no smaller than 7.25"W x 3.75"H x 3.75"D (18.4 cm x 9.5 cm x 9.5 cm)

Package Specifications:

- Package Qty 12 per case
- 14"W x 12"H x 9"D (35.6 cm x 30.5 cm x 21.6 cm)
- 9.0 lbs (4.1 kg) - approximated

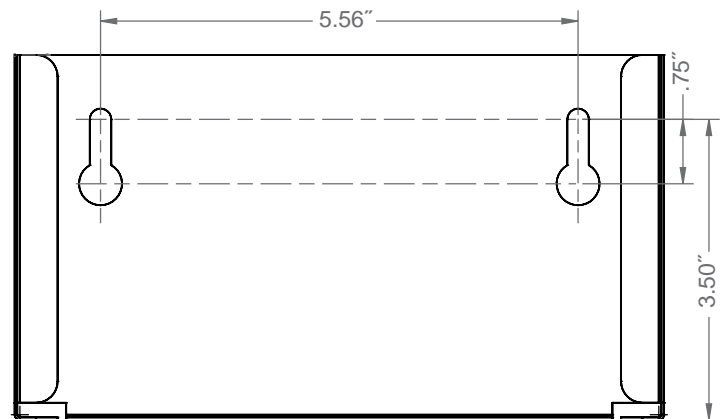
Product Specifications (overall external dimensions):

- 7.56"W x 4.25"H x 4.13"D (19.2 cm x 10.8 cm x 10.5 cm)
- 0.7 lb (0.3 kg) - approximated

Mounting Specifications:

Related Products (each sold separately):

- FB-021: Face Mask Dispenser - Tie Style (shown below)
- FB-064: Face Mask Dispenser - Earloop Style
- FB-090: Face Mask Dispenser - Shield Style

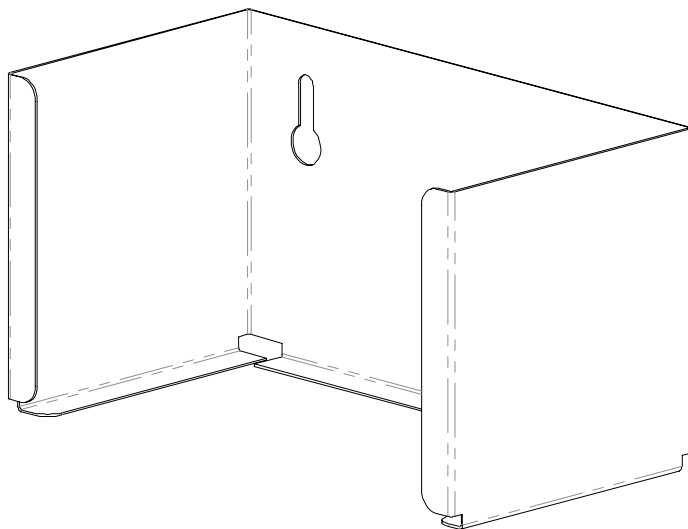




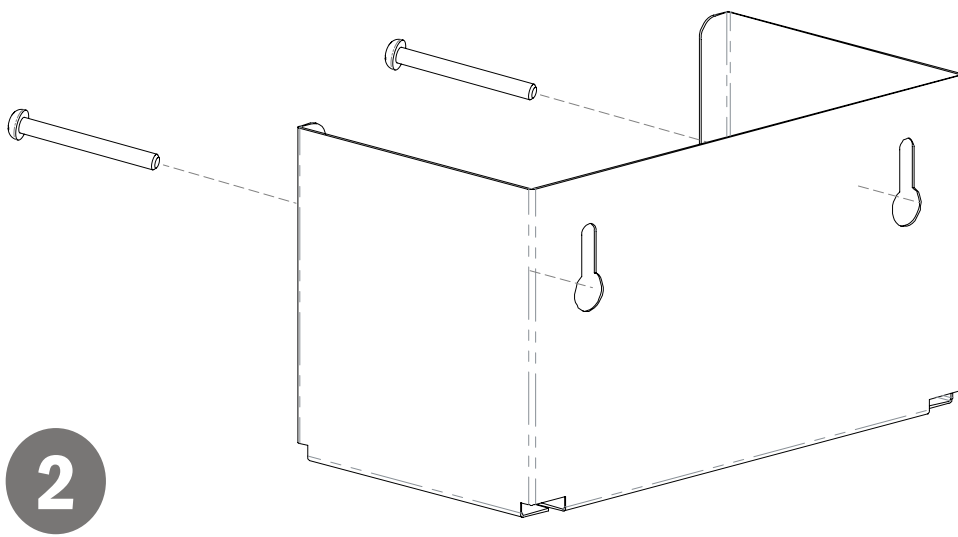
Installation

Always mount dispensers securely *prior* to loading with product.

- Custom fit sizing with short flanges mean there is maximum exposure of the box.
- Boxes may dispense from the top or front as fit provides.



- Mount securely to a wall with screws approved and supplied by building maintenance.



Parts included:

- Dispenser

Tools Required:

- No tools required to assemble dispenser

Care and Construction

Powder-Coated Steel

Material Characteristics

Designed for Long-Term, Heavy-Duty Applications

Dispensers and stands made of powder coated steel are both attractive and functional, providing years of service. Our powder coated steel dispensers and stands provide long-lasting products that hold up well in tough environments.

Powder coated steel is ideal for dispensers used in a healthcare or an industrial setting. It is impact resistant and is not effected by extremes in temperature.

Care and Cleaning

The powder coated finish resists common chemicals and cleaning agents and can be easily wiped clean with soap and water.