



MADE IN THE USA

Product Description:

- Face Mask Dispenser - Combo
- Holds up to five boxes of face masks: one box of earloop style face masks, one box of face shields, and two boxes of N95 flat fold cone masks
- Keyholes for vertical or horizontal wall mounting, or can be mounted on a Bowman® door hanger
- Made of Quartz Beige ABS Plastic

Primary Area for Product Usage:

- Surgical areas, interventional radiology, areas with a scrub sink

Dispenses:

Most major manufacturers' standard surgical earloop/tie face masks and face shield boxes; also fits most brands of boxed isolation gowns

- Top Section: Boxes no larger than 10.50"W x 4.50"H x 4.75"D (26.7 cm x 11.4 cm x 12.1 cm)
- Large Section: Boxes no larger than 8.25"W x 10.00"H x 4.75"D (21.0 cm x 25.4 cm x 12.1 cm)
- Bottom Sections (2): N95 flat fold cone mask boxes no larger than 10.50"W x 5.00"H x 4.75"D (26.7 cm x 12.7 cm x 12.1 cm)

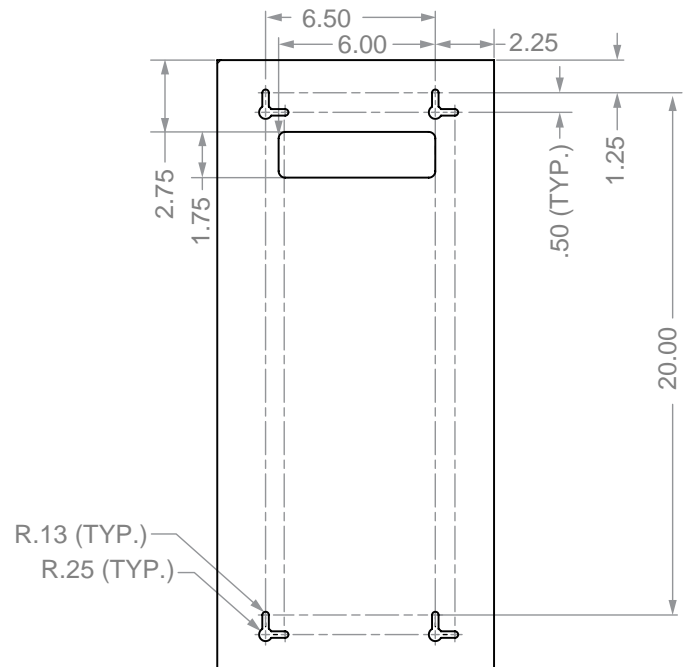
Package Specifications:

- Package Quantity: 1 per case
- 18"L x 6"W x 29"H (45.7 cm x 15.2 cm x 73.7 cm)
- 6.0 lbs (2.3 kg) - approximated

Product Specifications (overall external dimensions):

- 10.63"W x 25.25"H x 5.00"D (27.0 cm x 64.1 cm x 12.7 cm)
- 3.3 lbs (1.5 kg) - approximated

Mounting Specifications:



Companion Products (each sold separately):

- MB-450, Hanger - Metal Bracketed Door (not shown)
- MB-510, Hanger - Wall
- MB-600, Hanger - Door - Standard
- MB-601, Hanger - Door - Long



MB-510



MB-600



MB-601





Product Description:

- Protection System - Compact
- Holds one box of earloop face masks, one box of gowns, and two boxes of gloves
- Keyholes for vertical or horizontal wall mounting, or can be mounted on a Bowman® door hanger
- Made of Quartz Beige ABS Plastic

Primary Area for Product Usage:

- All patient care areas requiring personal protective equipment and isolation supplies, including oncology clinics, dialysis centers, and clinic exam areas

Dispenses:

Most major manufacturers' standard surgical earloop/tie face masks and face shield boxes, boxed isolation gowns, and standard glove boxes

- Top Section: Earloop boxes no larger than 10.50"W x 4.50"H x 4.75"D (26.7 cm x 11.4 cm x 12.1 cm)
- Large Section: Gown boxes no larger than 8.25"W x 10.00"H x 4.75"D (21.0 cm x 25.4 cm x 12.1 cm)
- Bottom Sections (2): Glove boxes no larger than 10.50"W x 5.00"H x 4.75"D (26.7 cm x 12.7 cm x 12.1 cm)

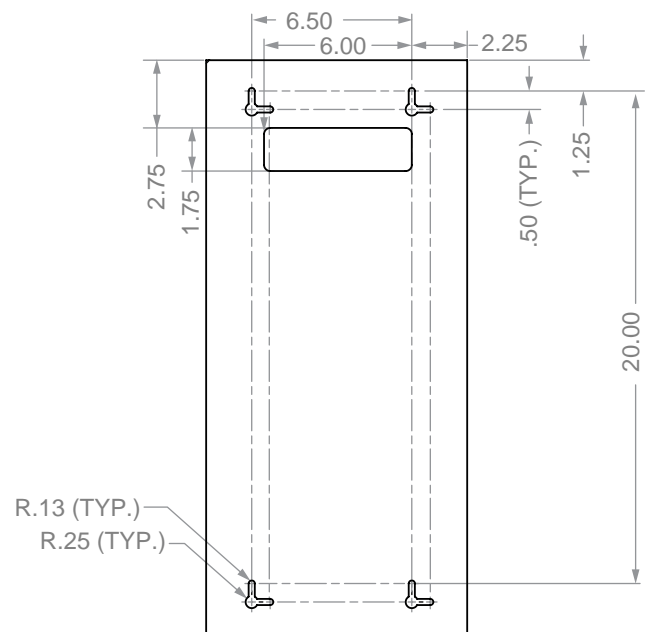
Package Specifications:

- Package Quantity: 1 per case
- 18"L x 6"W x 29"H (45.7 cm x 15.2 cm x 73.7 cm)
- 6.0 lbs (2.3 kg) - approximated

Product Specifications (overall external dimensions):

- 10.63"W x 25.25"H x 5.00"D (27.0 cm x 64.1 cm x 12.7 cm)
- 3.3 lbs (1.5 kg) - approximated

Mounting Specifications:



Companion Products (each sold separately):

- MB-450, Hanger - Metal Bracketed Door (not shown)
- MB-510, Hanger - Wall
- MB-600, Hanger - Door - Standard
- MB-601, Hanger - Door - Long



MB-510



MB-600



MB-601

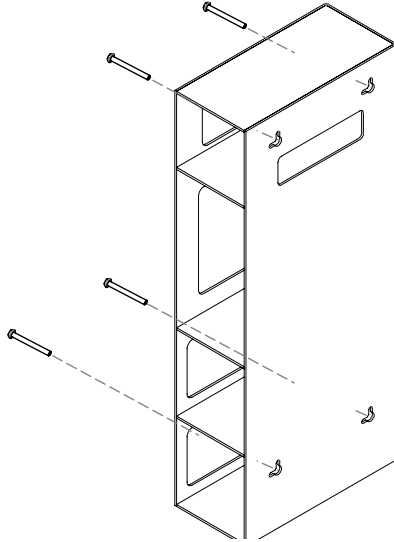




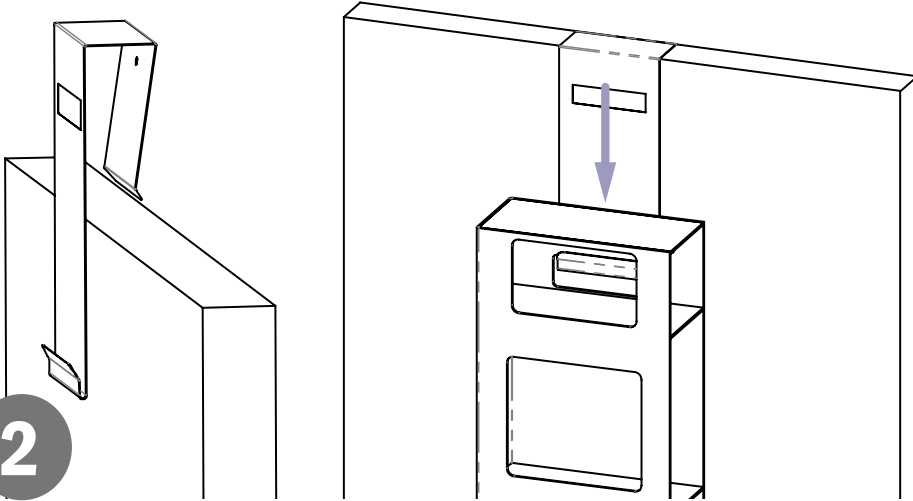
Installation

Always mount dispensers securely *prior* to loading with product.

- Mount securely to a wall with screws approved and supplied by building maintenance.



- To use a BOWMAN door or wall hanger, first mount the hanger.
- Next, mount the dispenser.
- Load with product only **AFTER** dispenser is secured.



Parts included:

- Dispenser

Tools Required:

- No tools required to assemble dispenser

Characteristics & Care

ABS Plastic

Material Characteristics

Designed for Long-Term, Heavy-Duty Applications

The combination of copolymers (Acrylonitrile, Butadiene, and Styrene) gives ABS an excellent combination of strength, rigidity, and toughness.

ABS is chemical, stress-crack resistant, dimensionally stable, and will hold up to long-term use. It possesses high strength and performance characteristics at a reasonable cost.

Care and Cleaning

Use mild soap and water to clean. Petroleum-based oils, solvents, and paints should not be used.

Standard hospital cleaning supplies are approved for use on our ABS plastic products.