



MADE IN THE USA

Companion Products (sold separately):

- KS022-0012: Dual-Sided Floor Stand (shown below)
- 13-207: VHB Tape - Clear - 2" x 8.125"



Product Description:

- Face Mask Dispenser - Bulk - Locking - Short
- Holds contents of two - three boxes of earloop or tie face masks or other items in bulk
- Locking pivot hinge lid
- Top loading, bottom dispensing
- Supply level view slot
- Keyholes for wall mounting
- Quartz Beige ABS Plastic

Primary Area for Product Usage:

- Anywhere face masks are needed in large quantities

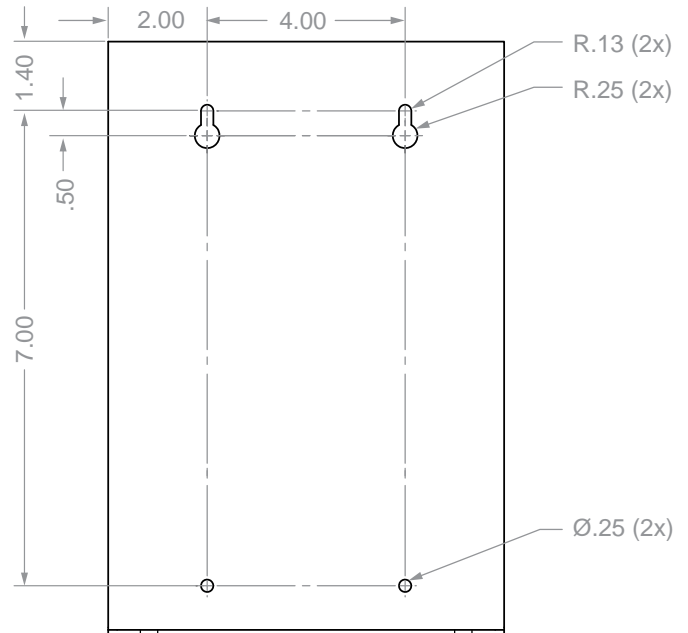
Dispenses:

- Standard earloop or tie face masks or miscellaneous items in bulk

Product Specifications (overall external dimensions):

- 8.38"W x 10.00"H x 4.43"D (21.3 cm x 25.4 cm x 11.3 cm)
- 1.2 lbs (0.5 kg) - approximated

Mounting Specifications:



Package Specifications:

- Package Quantity: 6 per case
 - 18"W x 16"H x 10"D (45.8 cm x 40.6 cm x 25.4 cm)
 - 9.0 lbs (4.1 kg) - approximated
- Package Quantity: 1 per case
 - 12"W x 10"H x 9"D (30.5 cm x 25.4 cm x 22.9 cm)
 - 2.0 lbs (0.9 kg)

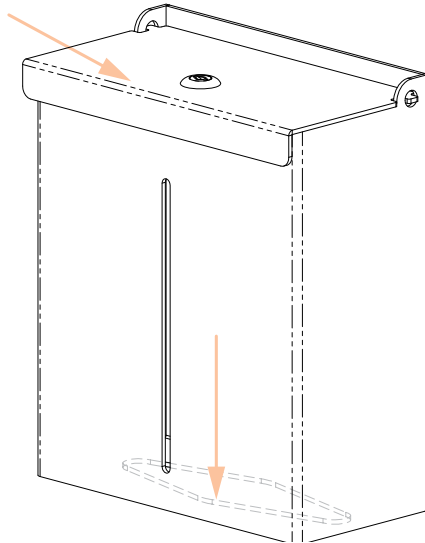




Installation

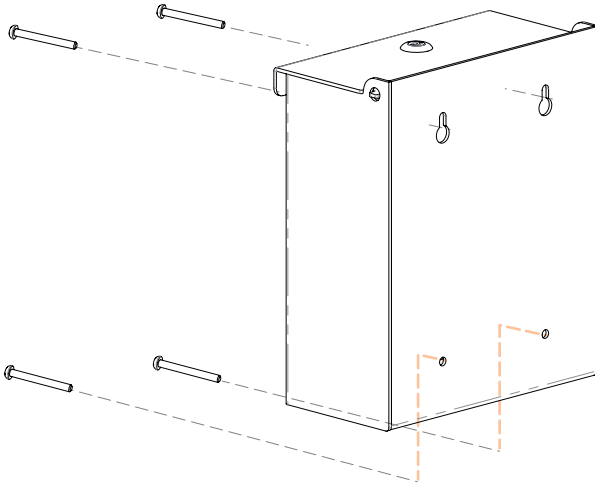
Always mount dispensers securely *prior* to loading with product.

- Supply level view slot enables tracking of contents and supply level.
- Hingeless lid and bottom dispensing protects contents from dust and debris.



1

- Mount securely to a wall with screws approved and supplied by building maintenance.
- Dispenser can also be mounted to one or both sides of the BOWMAN® Dual-Sided Floor Stand, KS022-0012, with VHB tape. (each purchased separately)



2

Parts included:

- Dispenser
- 2x keys

Tools Required:

- No tools required to assemble dispenser

Care and Construction

ABS Plastic

Material Characteristics

Designed for Long-Term Heavy-Duty Applications

The combination of copolymers (Acrylonitrile, Butadiene, and Styrene) gives ABS an excellent combination of strength, rigidity, and toughness.

ABS is chemical, stress-crack resistant, dimensionally stable, and will hold up to long-term use. It possesses high strength and performance characteristics at a reasonable cost.

Care and Cleaning

Use mild soap and water to clean. Petroleum-based oils, solvents, and paints should not be used.

Standard hospital cleaning supplies are approved for use on our ABS plastic products.