



MADE IN THE USA

### Related Products (each sold separately):

- GB-002: Glove Box Dispenser - Double (shown below)
- GB-003: Glove Box Dispenser - Triple
- GB-059: Glove Box Dispenser - Quad



### Product Description:

- Glove Box Dispenser - Single
- Holds one box of gloves
- Flexible spring pushes smaller boxes forward for secure fit
- Three-way keyholes for vertical or horizontal mounting
- White Powder-Coated Steel

### Primary Area for Product Usage:

- Anywhere gloves are needed

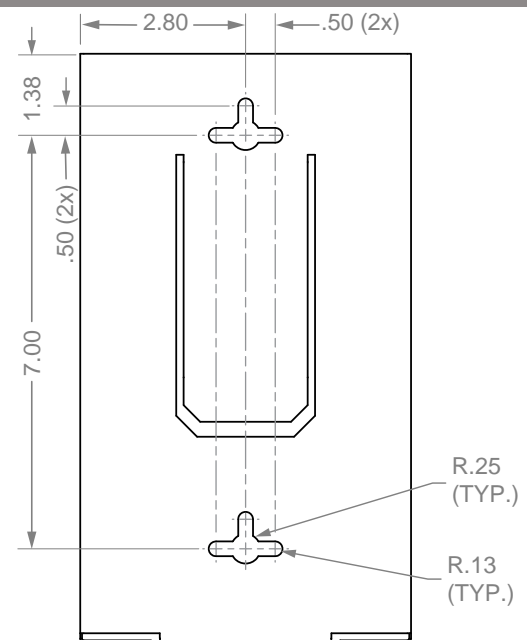
### Dispenses:

- Box(es) no larger than 5.50"W x 10.00"H x 3.74"D (14.0 cm x 25.4 cm x 9.5 cm)
- Box(es) no smaller than 3.60"W x 8.50"H x 3.00"D (9.1 cm x 21.6 cm x 7.6 cm)

### Product Specifications (overall external dimensions):

- 5.60"W x 9.96"H x 3.80"D (14.2 cm x 25.3 cm x 9.7 cm)
- 1.4 lbs (0.6 kg) - approximated

### Mounting Specifications:



### Package Specifications:

- Package Quantity: 12 per case
  - 18"W x 16"H x 10"D (45.7 cm x 40.6 cm x 25.4 cm)
  - 18.0 lbs (8.2 kg) - approximated
- Package Quantity: 1 per case
  - 10"W x 6"H x 4"D (25.4 cm x 15.2 cm x 10.2 cm)
  - 2.0 lbs (0.9 kg) - approximated

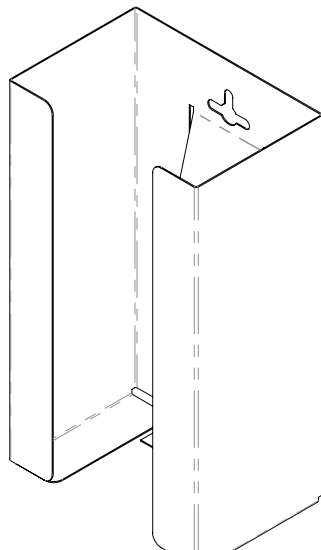




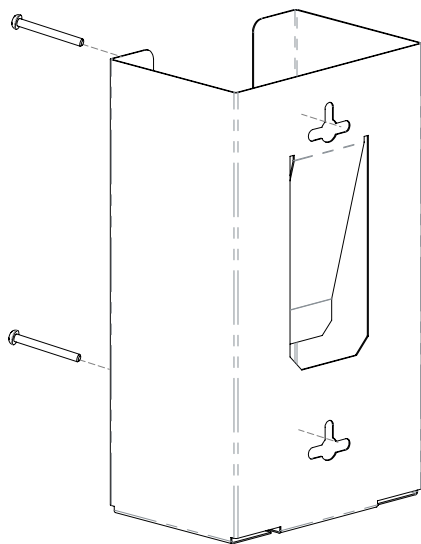
## Installation

Always mount dispensers securely *prior* to loading with product.

- Flexible spring in back pushes box forward and holds securely even as supply level decreases.



- Mount securely to a wall with screws approved and supplied by building maintenance.



### Parts included:

- Dispenser

### Tools Required:

- No tools required to assemble dispenser

## Care and Construction

### Powder-Coated Steel

#### Material Characteristics

#### Designed for Long-Term, Heavy-Duty Applications

Dispensers and stands made of powder-coated steel are both attractive and functional, providing years of service. Our powder-coated steel dispensers and stands provide long-lasting products that hold up well in tough environments.

Powder-coated steel is ideal for dispensers used in a healthcare or an industrial setting. It is impact resistant and is not effected by extremes in temperature.

#### Care and Cleaning

The powder-coated finish resists common chemicals and cleaning agents and can be easily wiped clean with soap and water.