



MADE IN THE USA

Product Description:

- Glove Box Dispenser - Single
- Holds one box of gloves
- Two formed springs accommodate a variety of box sizes
- Three-way keyholes for vertical or horizontal wall mounting
- Semi-Transparent, Injection Molded Polycarbonate Plastic

Primary Area for Product Usage:

- Anywhere gloves are needed

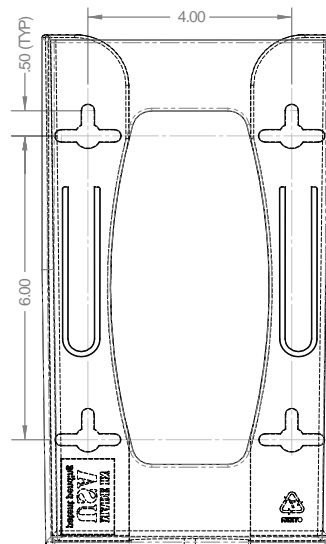
Dispenses:

- Box(es) no larger than 5.50"W x 10.00"H x 3.75"D (14.0 cm x 25.4 cm x 9.5 cm)
- Box(es) no smaller than 4.50"W x 9.00"H x 3.00"D (11.4 cm x 22.9 cm x 7.6 cm)

Product Specifications (overall external dimensions):

- 5.84"W x 10.11"H x 4.22"D (14.8 cm x 25.7 cm x 10.7 cm)
- 0.7 lbs (0.3 kg) - approximated

Mounting Specifications:



Related Products (each sold separately):

- GL100-0212: Glove Box Dispenser - Single, ABS Plastic (shown below)



Package Specifications:

- Package Quantity: 12 per case
 - 18"L x 16"W x 10"H (45.7 cm x 40.6 cm x 25.4 cm)
 - 10.0 lbs (4.5 kg) - approximated
- Package Quantity: 1 per case
 - 10"L x 6"W x 4"H (25.4 cm x 15.2 cm x 10.2 cm)
 - 2.0 lbs (0.9 kg) - approximated

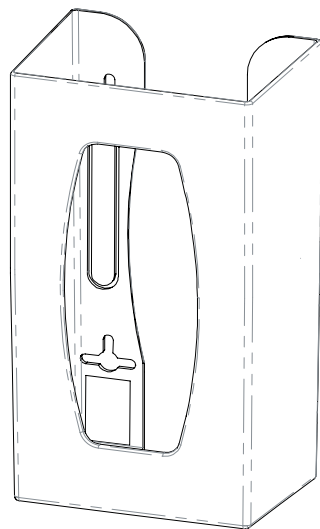




Installation

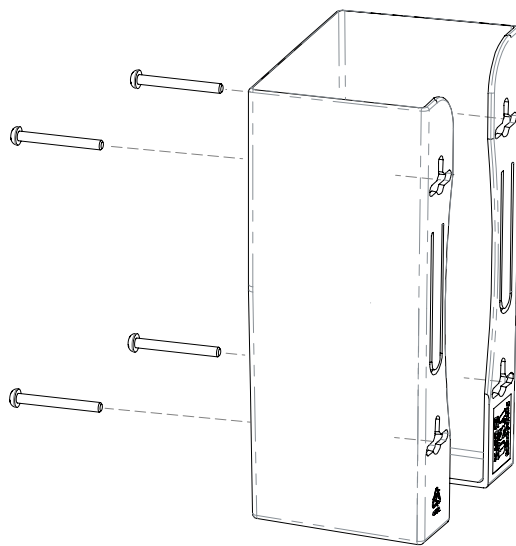
Always mount dispensers securely *prior* to loading with product.

- Front cutout allows for a wide variety of box dispensing perforations.
- Springs in back push boxes forward.



1

- Mount securely to a wall with screws approved and supplied by building maintenance.



2

Parts included:

- Dispenser

Tools Required:

- No tools required to assemble dispenser

Care and Construction

Polycarbonate Plastic

Material Characteristics

Designed for Long-Term Use

Polycarbonate plastic is a polymer comprised of Bisphenol A and phosgene, which makes it shatter resistant and provides an excellent combination of strength, rigidity, and toughness. It is a frosted, lightweight, tough, dimensionally stable thermoplastic. It is also temperature and humidity resistant and will perform exceptionally under heavy, long-term use.

As polycarbonate is virtually unbreakable, it is safe to use in areas where it may be exposed to impact. These qualities make it perfect for a wide variety of applications, including medical and laboratory equipment.

Frosted polycarbonate plastic makes an attractive display. The transparency allows the viewer to see content, read text, and see true colors through the material.

Care and Cleaning

Resistant to stains, polycarbonate is easily cleaned with common cleaners or mild soap and water. Alcohol is recommended to remove grease or oil. Ammonia and acetone should not be used.