



MADE IN THE USA

Related Products (each sold separately):

- GS-005: Glove Box Dispenser - Double (shown below)
- GS-006: Glove Box Dispenser - Triple
- GS-060: Glove Box Dispenser - Quad



Product Description:

- Glove Box Dispenser - Single
- Holds one box of gloves
- Flexible spring in back holds boxes forward
- Three-way keyholes for vertical or horizontal mounting
- Stainless Steel

Primary Area for Product Usage:

- Anywhere glove boxes are needed

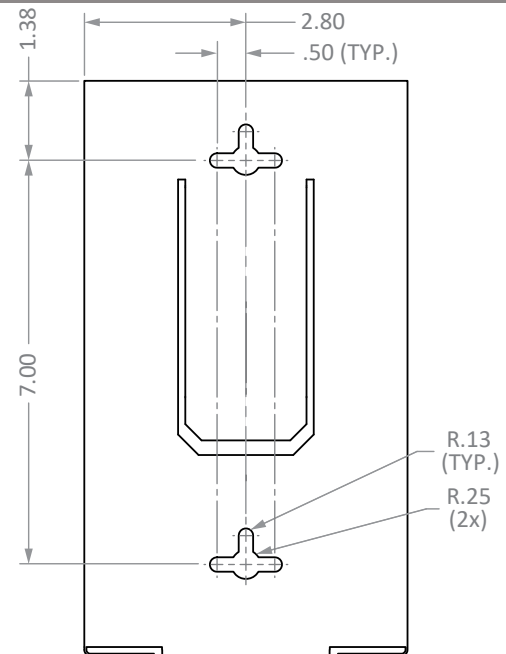
Dispenses:

- Box(es) no larger than 5.51"W x 11.00"H x 3.74"D (14.0 cm x 25.4 cm x 9.5 cm)
- Box(es) no smaller than 3.75"W x 8.00"H x 2.80"D (14.0 cm x 25.4 cm x 9.5 cm)

Product Specifications (overall external dimensions):

- 5.60"W x 9.96"H x 3.80"D (14.2 cm x 25.3 cm x 9.7 cm)
- 1.4 lbs (0.6 kg) - approximated

Mounting Specifications:



Package Specifications:

- Package Quantity: 12 per case
 - 18"W x 16"H x 10"D (45.7 cm x 40.6 cm x 25.4 cm)
 - 18.0 lbs (8.2 kg) - approximated
- Package Quantity: 1 per case
 - 10"W x 6"H x 4"D (25.4 cm x 15.2 cm x 10.2 cm)
 - 2.0 lbs (0.9 kg) - approximated

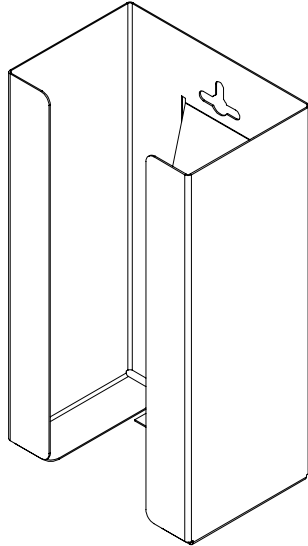




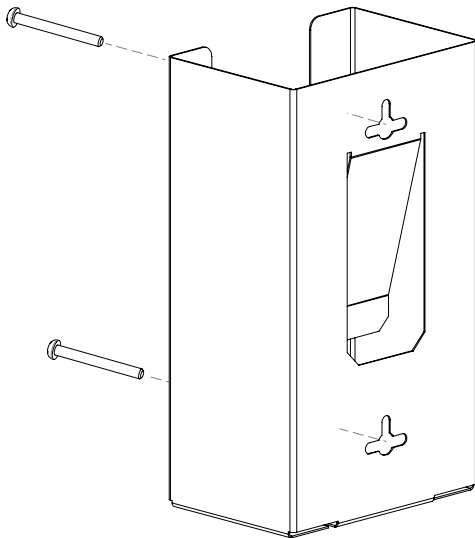
Installation

Always mount dispensers securely *prior* to loading with product.

- Built-in, flexible spring in back pushes boxes forward for a secure fit.



- Mount securely to a wall with screws approved and supplied by building maintenance.



Parts included:

- Dispenser

Tools Required:

- No tools required to assemble dispenser

Care and Construction

Stainless Steel

Material Characteristics

Designed for Long-Term, Heavy-Duty Applications

By its nature, stainless steel is resistant to corrosion and oxidation, yet the bright, easily maintained surface provides a modern and attractive appearance. Stainless steel is used overwhelmingly for its corrosion resistance characteristics. Along with being sturdy, stainless steel is also fire and heat resistant.

Stainless steel has work-hardening properties, giving the material a great strength-to-weight advantage over other materials. It also provides impact resistance and high toughness in extreme temperatures.

Care and Cleaning

Stainless steel resists a variety of common chemicals and cleaning agents. Clean using warm water, a gentle detergent, and soft cloth. Dry thoroughly to avoid spotting. Do not use steel wool.