



Product Description:

- Glove Box Dispenser - Double
- Holds two boxes of gloves
- Two-way keyholes for vertical or horizontal mounting
- Stainless Steel

Primary Area for Product Usage:

- Anywhere gloves are needed

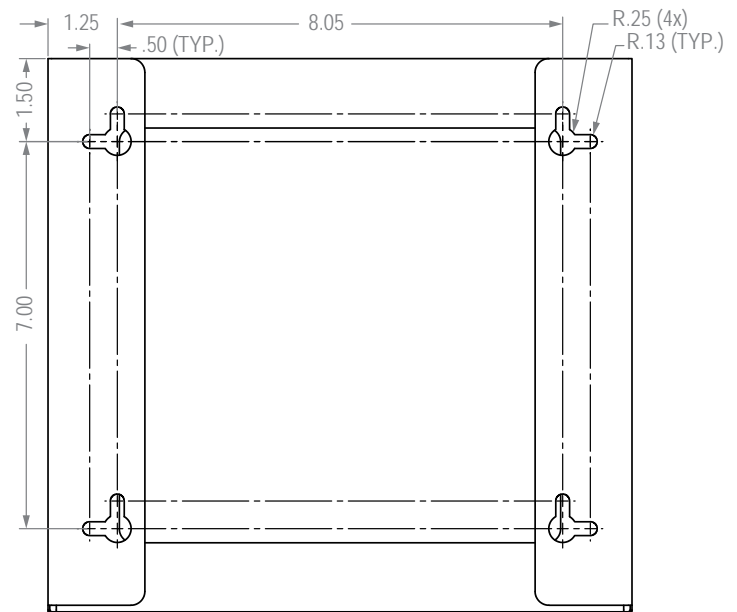
Dispenses:

- Box(es) no larger than 5.25"W x 11.00"H x 3.75"D (13.3 cm x 27.9 cm x 9.5 cm)
- Box(es) no smaller than 4.25"W x 8.00"H x 2.80"D (10.8 cm x 10.8 cm x 7.1 cm)

Product Specifications (overall external dimensions):

- 10.56"W x 10.04"H x 3.82"D (26.8 cm x 25.5 cm x 9.7 cm)
- 1.4 lbs (0.6 kg) - approximate

Mounting Specifications:



Related Products (each sold separately):

- GS-004: Glove Box Dispenser - Single (shown below)
- GS-006: Glove Box Dispenser - Triple
- GS-060: Glove Box Dispenser - Quad



Package Specifications:

- Package Quantity: 6 per case
 - 16"W x 12"H x 12"D (40.6 cm x 30.5 cm x 30.5 cm)
 - 11.0 lbs (5.0kg) - approximated
- Package Quantity: 1 per case
 - 14"W x 12"H x 9"D (35.6 cm x 30.5 cm x 22.9 cm)
 - 3.0 lbs (1.4kg) - approximated

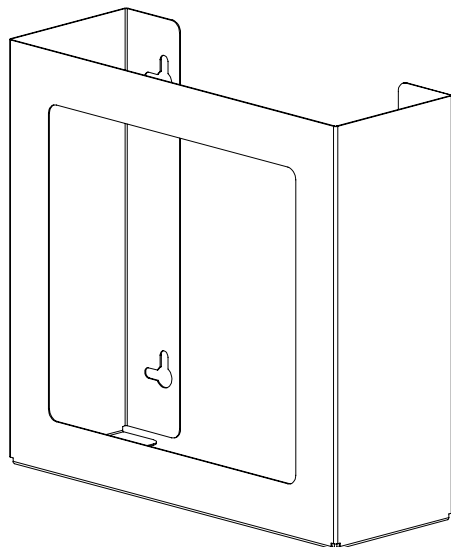




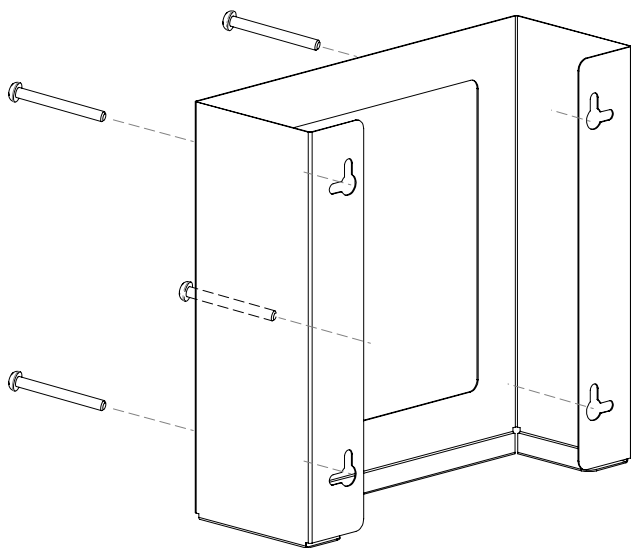
Installation

Always mount dispensers securely *prior* to loading with product.

- Open design will accommodate two boxes of gloves or a single larger box of PPE.



- Mount securely to a wall with screws approved and supplied by building maintenance.



Parts included:

- Dispenser

Tools Required:

- No tools required to assemble dispenser

Care and Construction Stainless Steel

Material Characteristics

Designed for Long-Term, Heavy-Duty Applications

By its nature, stainless steel is resistant to corrosion and oxidation, yet the bright, easily maintained surface provides a modern and attractive appearance. Stainless steel is used overwhelmingly for its corrosion resistance characteristics. Along with being sturdy, stainless steel is also fire and heat resistant.

Stainless steel has work-hardening properties, giving the material a great strength-to-weight advantage over other materials. It also provides impact resistance and high toughness in extreme temperatures.

Care and Cleaning

Stainless steel resists a variety of common chemicals and cleaning agents. Clean using warm water, a gentle detergent, and soft cloth. Dry thoroughly to avoid spotting. Do not use steel wool.