



MADE IN THE USA

Product Description:

- Hairnet Dispenser - Bulk
- Holds individually packaged hairnets in bulk quantity
- Top loading, bottom front dispensing
- Hingeless lid
- Keyholes for wall mounting, or sits on a counter
- Clear PETG Plastic

Primary Area for Product Usage:

- Food service areas, such as kitchens, delis, food trucks, or anywhere hairnets are needed

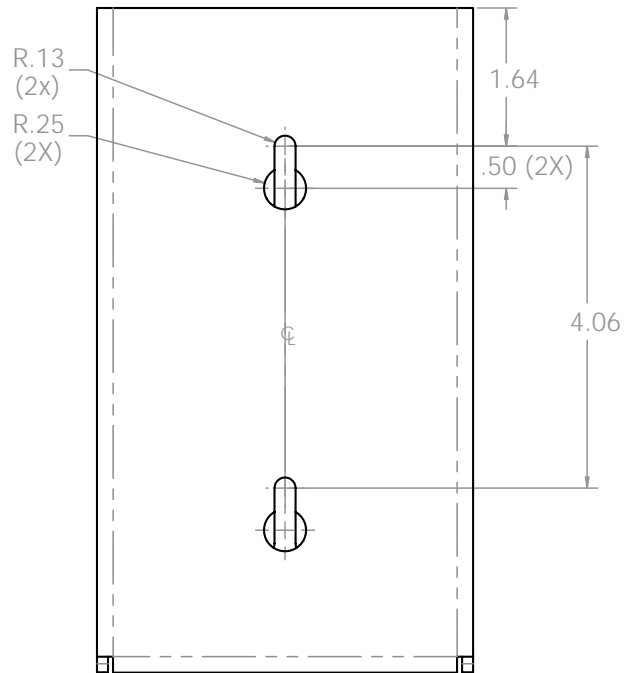
Dispenses:

- Fits most brand name individually packaged hairnets, up to 4.25"W x 7.50"H x 3.50"D (10.8 cm x 19.1 cm x 8.9 cm)

Product Specifications (overall external dimensions):

- 4.77"W x 7.88"H x 3.69"D (12.1 cm x 20.0 cm x 9.4 cm)
- 0.7 lbs (0.3 kg) - approximated

Mounting Specifications:



Alternative Products (each sold separately):

- BP-011: Bulk Dispenser - Tall Single Bin (not pictured)
- BP-012: Bulk Dispenser - Tall Double Bin
- BP-090: Bulk Dispenser - Tall Triple Bin



BP-012



BP-090

Package Specifications:

- Package Quantity: 12 per case
 - 16"L x 12"W x 12"H (40.6 cm x 30.5 cm x 30.5 cm)
 - 10.0 lbs (4.5 kg) - approximated
- Package Quantity: 1 per case
 - 10"L x 6"W x 4"H (25.4 cm x 15.2 cm x 10.2 cm)
 - 2.0 lbs (0.9 kg) - approximated

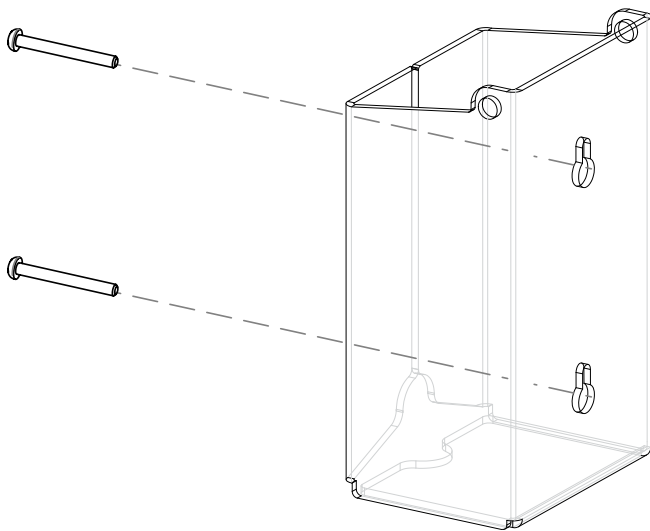




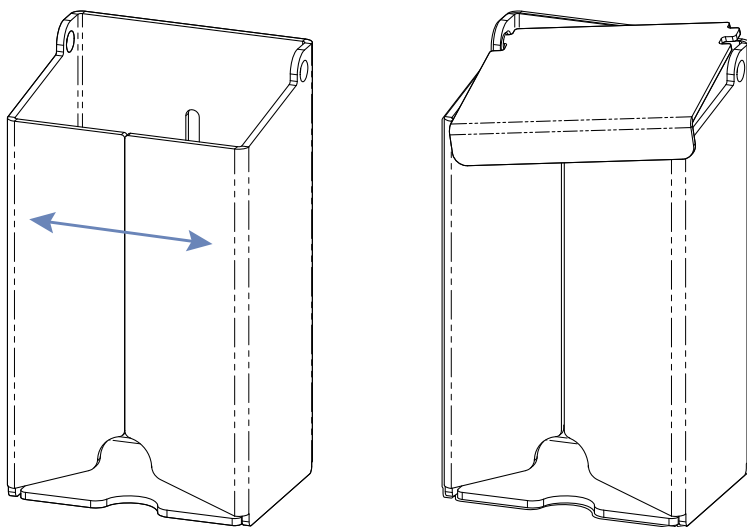
Installation

Always mount dispensers securely *prior* to loading with product.

- Mount securely to a wall with screws approved and supplied by building maintenance.



- To attach the lid, gently pry the front part and insert as shown below.



Parts included:

- Dispenser & Lid

Tools Required:

- No tools required to assemble dispenser

Care and Construction

PETG Plastic

Material Characteristics

Designed for Long-Term Heavy-Duty Applications

Copolyester resin is designed for heavy-duty applications, and is used by BOWMAN® Dispensers. We never use acrylic in our products.

Copolyester (PETG) is typically 15-20 times tougher than general purpose acrylic. PETG is made to withstand handling and reduce losses due to breakage.

PETG resists a variety of chemicals and commonly used cleaning agents. It is tough and durable (not brittle), providing years of trouble-free functionality and long life.

Clear optical characteristics mean the viewer can see the content, read text, and see true colors through the material. It complies with FDA regulations for food contact.

Care and Cleaning

Most cleaning chemicals do not weaken the surface or cause damage to the material. Suggested cleaning method is to use a soft cloth, warm water, and mild soap.