



### Product Description:

- Hanger - Wall
- Holds BOWMAN® protection systems on a wall
- Screw holes for mounting to a wall
- Quartz Beige Powder-Coated Steel

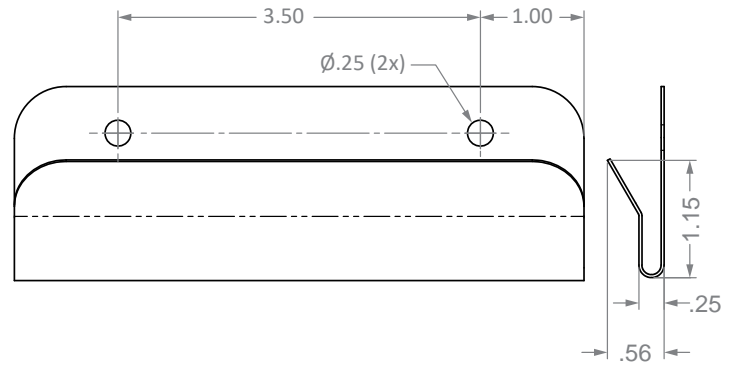
### Primary Area for Product Usage:

- Anywhere a wall hanger is needed to mount a BOWMAN® dispenser for personal protection equipment

### Product Specifications (overall external dimensions):

- 5.50"W x 1.87"H x 0.56"D (14.0 cm x 4.7 cm x 1.4 cm)
- 0.2 lbs (0.1 kg) - approximated

### Mounting Specifications:



### Related Products (each sold separately):

- PS016-0512 - Protection System (shown below)



### Package Specifications:

- Package Quantity: 12 per case
  - 10"L x 6"W x 4"H (25.4 cm x 15.2 cm x 10.2 cm)
  - 4.0 lbs (1.8 kg) - approximated
- Package Quantity: 1 per case
  - 6"L x 4"W x 2"H (15.2 cm x 10.2 cm x 5.1 cm)
  - 1.0 lbs (0.5 kg) - approximated

### Proper Hanging Procedure:

- 1) Attach hanger securely - back of hanger must lay flush against surface
- 2) Hang empty dispenser on hanger.
- 3) Load product in dispenser.
- 4) To remove, reverse order of steps.

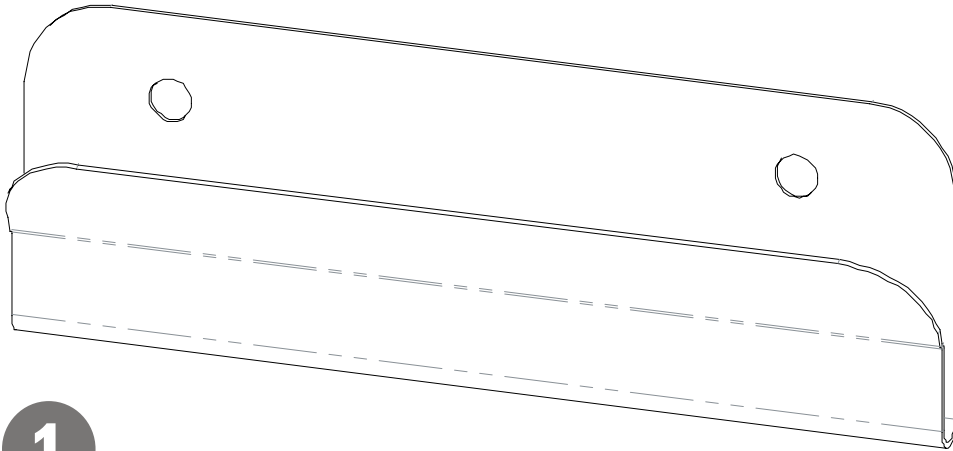




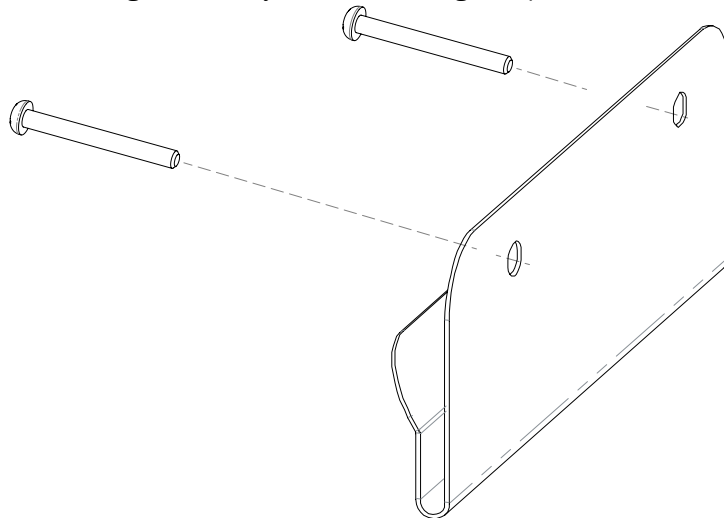
### Installation

Always mount dispensers securely *prior* to loading with product.

- Compact design can also be used to hold signage when not in use with a dispenser.



- Mount securely to a wall with screws approved and supplied by building maintenance.
- Always install hangers securely *before* mounting a dispenser to them.



#### Parts included:

- Dispenser

#### Tools Required:

- No tools required to assemble dispenser

### Care and Construction Powder-Coated Steel

#### Material Characteristics

#### Designed for Long-Term, Heavy-Duty Applications

Dispensers and stands made of powder-coated steel are both attractive and functional, providing years of service. Our powder-coated steel dispensers and stands provide long-lasting products that hold up well in tough environments.

Powder-coated steel is ideal for dispensers used in a healthcare or an industrial setting. It is impact resistant and is not effected by extremes in temperature.

#### Care and Cleaning

The powder-coated finish resists common chemicals and cleaning agents and can be easily wiped clean with soap and water.