



### Product Description:

- Protection System - Double Gown
- Holds disposable or reusable gowns, aprons, or coveralls/jumpsuits, three boxes of gloves, two boxes of earloop masks, and miscellaneous items
- Keyholes for wall mounting, or door hanger cut out for use with wall or door hanger
- Quartz Beige Powder-Coated Aluminum

### Primary Area for Product Usage:

- Anywhere personal protection equipment is needed

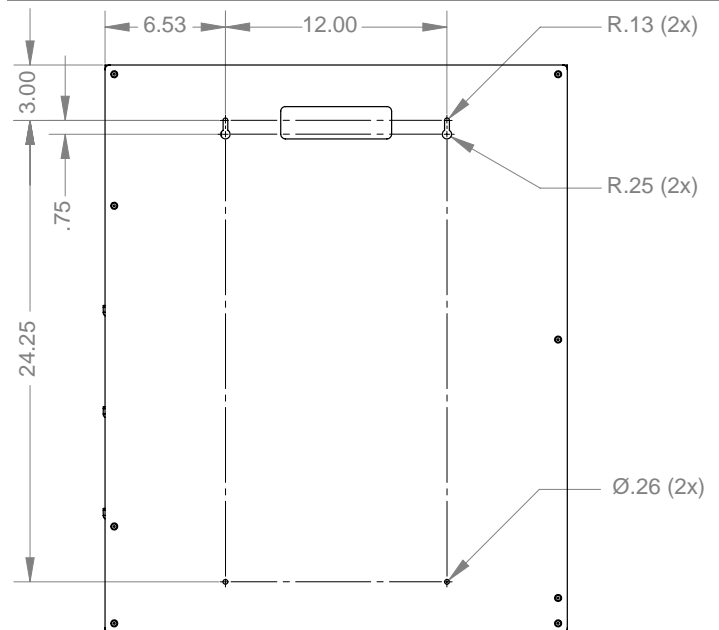
### Dispenses:

- Left: Gowns, aprons, or coveralls/jumpsuits no larger than 14.94"W x 15.33"H x 4.50"D (37.9 cm x 38.9 cm x 11.4 cm)
- Top right: Box(es) no larger than 4.85"W x 8.50"H x 4.50"D (12.3 cm x 21.6 cm x 11.4 cm)
- Middle right: Box(es) no larger than 9.85"W x 5.13"H x 4.50"D (25.0 cm x 13.0 cm x 11.4 cm)
- Bottom right: Item(s) no larger than 9.85"W x 6.11"H x 4.50"D (25.0 cm x 15.5 cm x 11.4 cm)

### Product Specifications (overall external dimensions):

- 25.05"W x 30.75"H x 4.65"D (63.6 cm x 78.1 cm x 11.8 cm)
- 11.0 lbs (5.0 kg) - approximated

### Mounting Specifications:



### Related Products (each sold separately):

- PS014-0212: Protection System - Gloveless
- PS015-0212: Protection Organizer - Double Gown (shown below)



### Package Specifications:

- Package Quantity: 1 per case
- 28"L x 8"W x 34"H (71.1 cm x 20.3 cm x 86.4 cm)
- 13 lbs (5.9 kg) - approximated

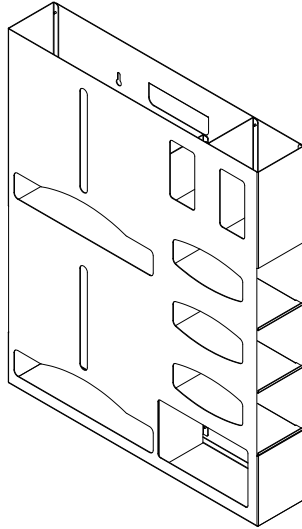




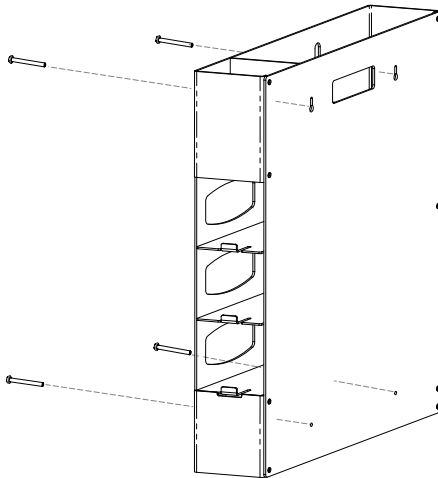
## Installation

Always mount dispensers securely *prior* to loading with product.

- Compartments are versatile and will accommodate many different products, such as small wipe canisters, rolled face shields, and folded laundered gowns.


**1**

- Mount securely to a wall with screws approved and supplied by building maintenance.
- Dispenser can be mounted onto a BOWMAN® door or wall hanger through the cutout in the back. (please see chosen hanger's datasheet for details)


**2**

### Parts included:

- Dispenser

### Tools Required:

- No tools required to assemble dispenser

## Care and Construction

### Powder-Coated Aluminum

#### Material Characteristics

#### Designed for Long-Term, Heavy-Duty Applications

Our powder-coated aluminum dispensers resist corrosion, chips and flaking. This material will provide long-lasting products that hold up well in tough environments.

Powder-coated aluminum is ideal for dispensers used in a healthcare or an industrial setting. It is impact resistant and is not effected by extremes in temperature.

#### Care and Cleaning

The semi-gloss powder-coated finish resists mild chemicals and cleaning agents, such as Windex or glass cleaners. It should be cleaned with a damp cloth or mild soap and water. Scotch-Brite, steel wool or any abrasive products should not be used.