



MADE IN THE USA
PATENTED

Product Description:

- Semi-Recessed PPE Dispensing System
- Holds disposable or reusable gowns, aprons, or coveralls/jumpsuits, three boxes of gloves, earloop masks, shield masks, and miscellaneous items
- Solid door conceals contents
- Low profile
- Slotted keyless cam lock
- Screw holes in sides to mount to stud framing in wall
- Quartz Beige Powder-Coated Steel

Primary Area for Product Usage:

- Anywhere protective equipment is needed

Dispenses:

- Top left: Gowns, aprons, or coveralls/jumpsuits no larger than 14.94"W x 14.50"H x 4.06"D (37.8 cm x 36.8 cm x 10.9 cm)
- Top right: Box(es) no larger than 8.38"W x 9.50"H x 4.06"D (21.1 cm x 23.9 cm x 10.4 cm)
- Middle right: Box(es) no larger than 8.38"W x 4.75"H x 4.06"D (20.6 cm x 12.2 cm x 10.4 cm)
- Bottom: Four boxes no larger than 11.63"W x 5.50"H x 4.06"D (29.5 cm x 14.0 cm x 10.4 cm)

Product Specifications (overall external dimensions):

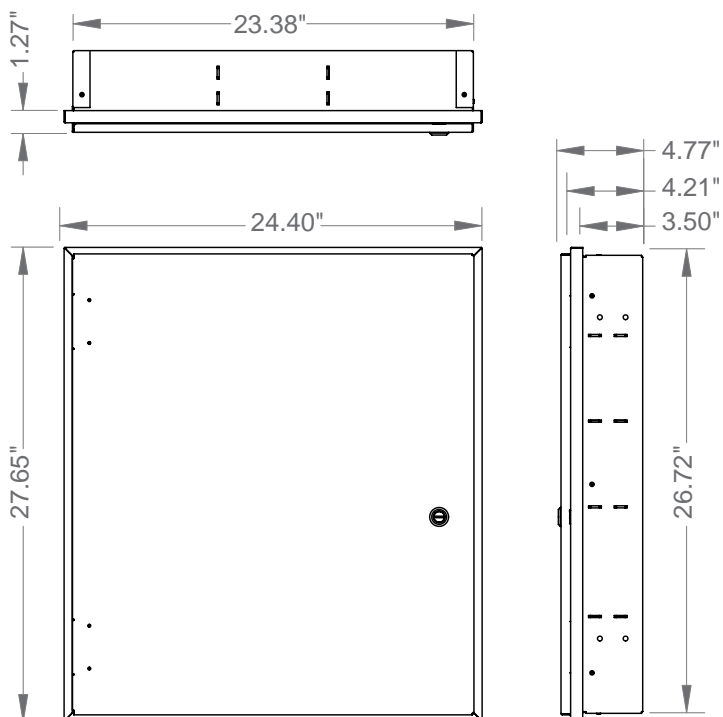
- 24.40"W x 27.65"H x 4.77"D (62.0 cm x 70.2 cm x 12.1 cm)
- 25.1 lbs (11.4 kg) - approximated

Package Specifications:

- Package Quantity: 1 per case
- 28"L x 8"W x 34"H (68.6 cm x 20.3 cm x 81.3 cm)
- 30.0 lbs (13.6 kg) - approximated

Mounting Specifications:

- Installation should be performed only by a licensed contractor.

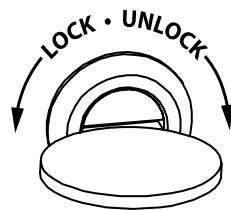




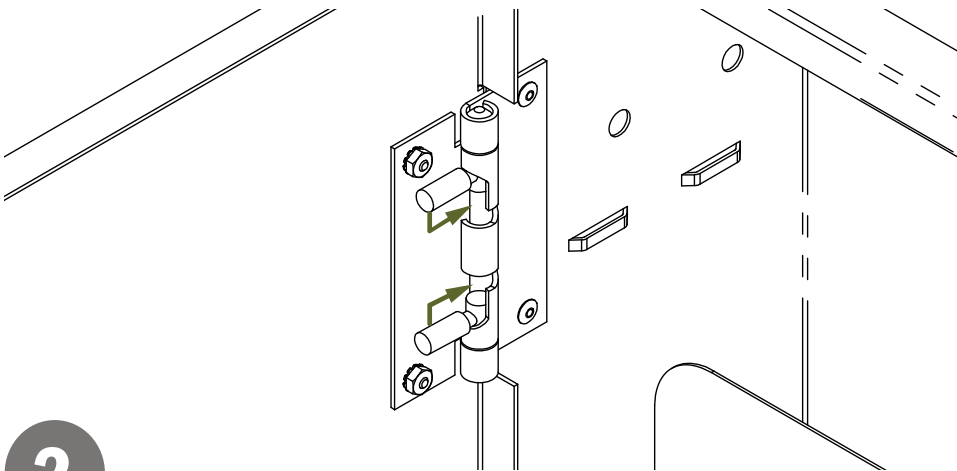
Installation

Always mount dispensers securely *prior* to loading with product.

- Door can be locked or unlocked using a small flat object, such as a coin, or similar edge.

**1**

- Door can be removed by squeezing and turning posts on hinges as shown.

**2**

Parts included:

- Dispenser
- Key

Tools Required:

- No tools required to assemble dispenser

Characteristics & Care

Powder-Coated Steel

Material Characteristics

Designed for Long-Term Use

Our steel dispensers and stands are coated with polyester powders which makes them highly resistant to corrosion.

Powder-coated steel is ideal for dispensers used in a healthcare or an industrial setting because it is impact resistant and is not effected by extremes in temperature.

Dispensers and stands made of powder-coated steel are both attractive and functional, providing years of service.

Care and Cleaning

For best results, clean by washing the surface with a diluted solution of a mild, non-abrasive detergent in cold or warm water and a non-abrasive cloth. Standard hospital cleaning supplies can be used.

Dry with a soft cloth. Do not use any solvent-based materials, abrasives (e.g. Scotch-brite, steel wool), or apply excessive force during cleaning.