

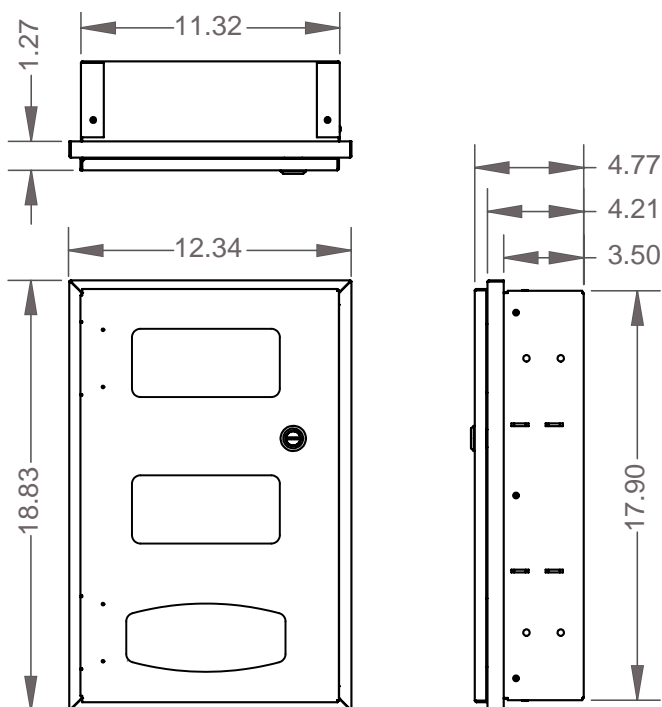


MADE IN THE USA

PATENT PENDING

Mounting Specifications:

- Installation should be performed only by a licensed contractor.



Product Description:

- Semi-Recessed Face Mask & Tissue Dispenser
- Holds two boxes of face masks and one box of facial tissues or gloves
- Low profile
- Keyless locking mechanism
- Screw holes in sides to mount to stud framing in wall
- Quartz Beige Powder-Coated Steel

Primary Area for Product Usage:

- All primary care areas: clinic/exam rooms, radiology, labs, physical therapy, O.R. areas, environmental services
- Ports of entry: waiting rooms, lobbies, elevators
- Medical offices or clinics

Dispenses:

- Top and middle: Box(es) no larger than 11.13"L x 5.50"W x 4.00"H (28.3 cm x 14.0 cm x 10.2 cm)
- Bottom: Box(es) no larger than 11.13"L x 5.50"W x 4.00"H (28.3 cm x 14.0 cm x 10.2 cm)

Product Specifications (overall external dimensions):

- 12.34"W x 18.83"H x 4.77"D (31.3 cm x 47.8 cm x 12.1 cm)
- 9.4 lbs (4.2 kg) - approximated

Package Specifications:

- 24"L x 16"W x 6"H (61.0 cm x 40.6 cm x 15.2 cm)
- 11.0 lbs (5.0 kg) - approximated

Accessories (sold separately):

- RE301-0012: Semi-Recessed Glove Box Dispenser - Triple (below left)
- RE401-0012: Semi-Recessed Face Mask & Tissue Dispenser (below right)

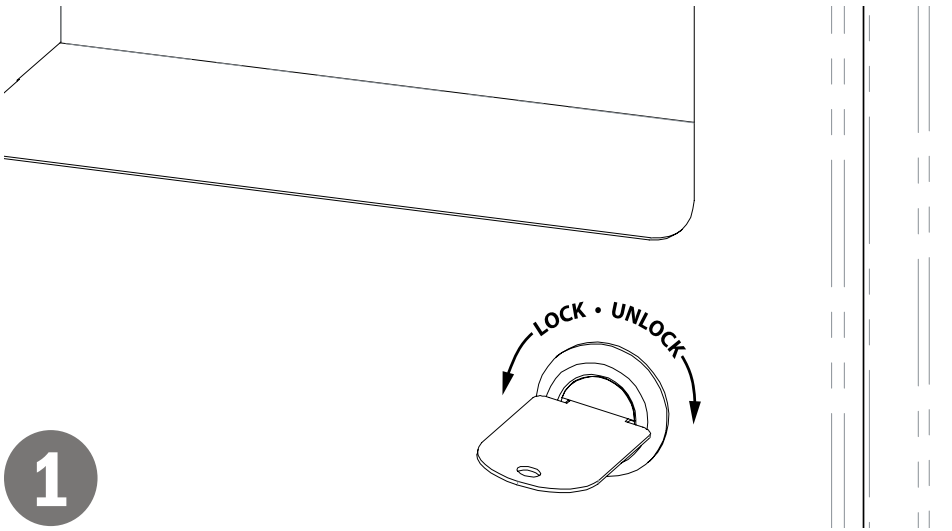




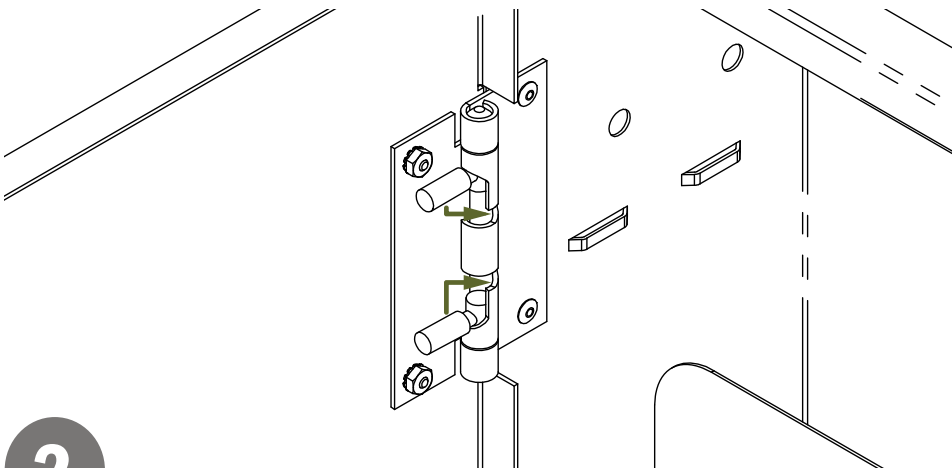
Installation

Always mount dispensers securely *prior* to loading with product.

- Door can be locked or unlocked using a small flat object, such as a coin, or similar rounded edge.

**1**

- Door can be removed by squeezing and turning posts on hinges as shown.

**2**

Parts included:

- Dispenser

Tools Required:

- No tools required to assemble dispenser

Characteristics & Care

Powder-Coated Steel

Material Characteristics

Designed for Long-Term Use

Our steel dispensers and stands are coated with polyester powders which makes them highly resistant to corrosion.

Powder-coated steel is ideal for dispensers used in a healthcare or an industrial setting because it is impact resistant and is not effected by extremes in temperature.

Dispensers and stands made of powder-coated steel are both attractive and functional, providing years of service.

Care and Cleaning

For best results, clean by washing the surface with a diluted solution of a mild, non-abrasive detergent in cold or warm water and a non-abrasive cloth. Standard hospital cleaning supplies can be used.

Dry with a soft cloth. Do not use any solvent-based materials, abrasives (e.g. Scotch-brite, steel wool), or apply excessive force during cleaning.