



Product Description:

- Respiratory Hygiene Station - Locking
- Holds two boxes of face masks and one - two boxes of facial tissues or one box of gloves
- Hinged locking lid
- Keyholes for wall mounting or can mount to a BOWMAN floor stand
- Quartz Beige ABS Plastic

Primary Area for Product Usage:

- Anywhere respiratory hygiene products are needed

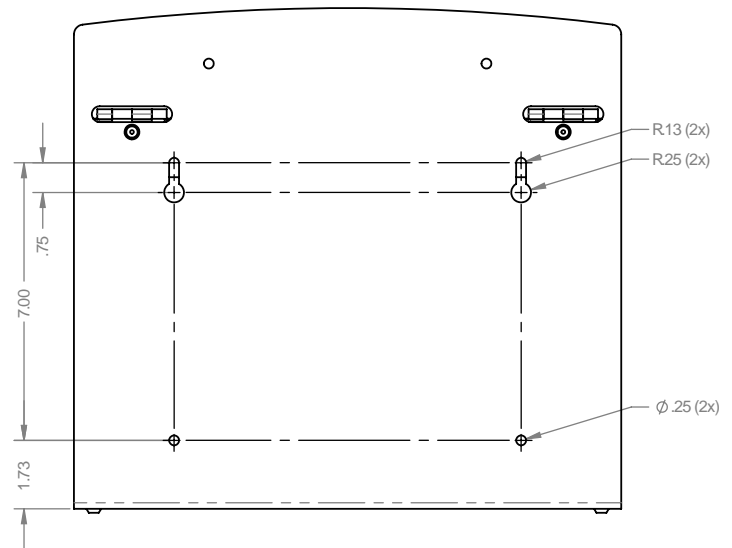
Dispenses:

- Left: Box(es) no larger than 7.75"W x 4.00"H x 4.75"D (19.7 cm x 10.2 cm x 12.1 cm)
- Right: Box(es) no larger than 5.50"W x 10.00"H x 4.75"D (14.0 cm x 25.4 cm x 12.1 cm)

Product Specifications (overall external dimensions):

- 13.80"W x 12.65"H x 5.30"D (35.1 cm x 32.1 cm x 13.5 cm)
- 2.0 lbs (0.9 kg) - approximated

Mounting Specifications:



Companion Products (each sold separately):

- MP-070: Sign Holder - Vertical (shown below left)
- MP-075: Sign Holder - Horizontal
- KS010-0412: Dual-Sided Floor Stand (shown below right)



Package Specifications:

- Package Quantity: 1 per case
- 24"L x 16"W x 6"H (61.0 cm x 40.6 cm x 15.2 cm)
- 6.0 lbs (2.7 kg) - approximated

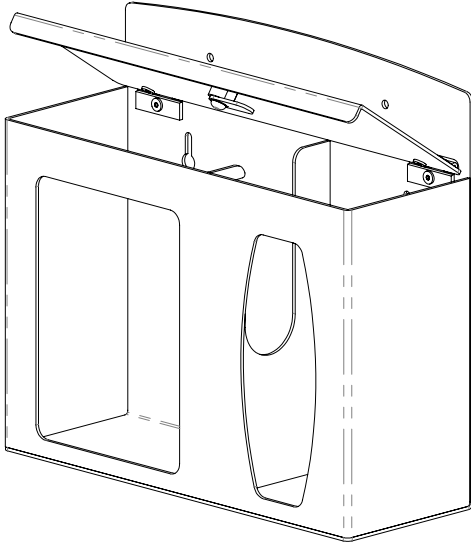




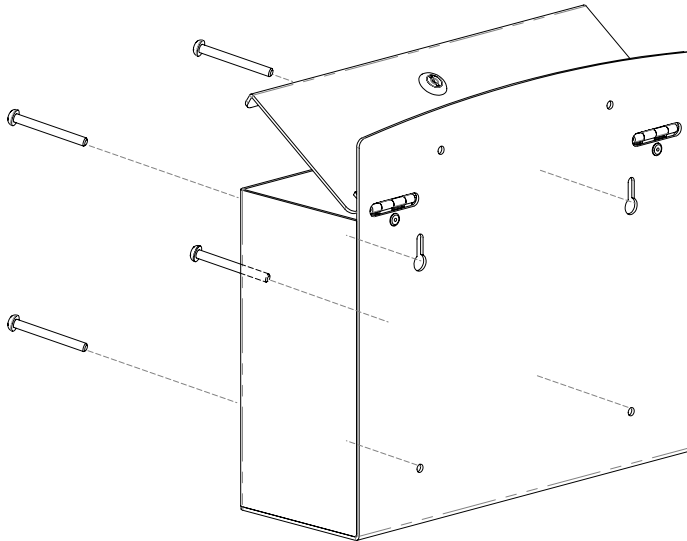
Installation

Always mount dispensers securely *prior* to loading with product.

- Locking lid over all contents.



- Mount securely to a wall with screws approved and supplied by building maintenance.



Parts included:

- Dispenser

Tools Required:

- No tools required to assemble dispenser

Care and Construction

ABS Plastic

Material Characteristics

Designed for Long-Term, Heavy-Duty Applications

The combination of copolymers (Acrylonitrile, Butadiene, and Styrene) gives ABS an excellent combination of strength, rigidity, and toughness. The fauxwood finish is ARVINYL laminate created from a semi-rigid film.

ABS is chemical and stress-crack resistant. It is tough, dimensionally stable, and will hold up to long-term use. To ensure product longevity, fauxwood products should not be mounted in very hot or cold areas.

Care and Cleaning

Use mild soap and water to clean. Petroleum-based oils, solvents, and paints should not be used.

Standard hospital cleaning supplies are approved for use on our ABS plastic products.