



MADE IN THE USA

Product Description:

- Respiratory Hygiene Station - Locking
- Holds two boxes of face masks and one - two boxes of facial tissues or one box of gloves
- Hinged locking lid
- Keyholes for wall mounting or can mount to a BOWMAN floor stand
- Quartz Beige Powder-Coated Steel

Primary Area for Product Usage:

- Anywhere respiratory hygiene products are needed

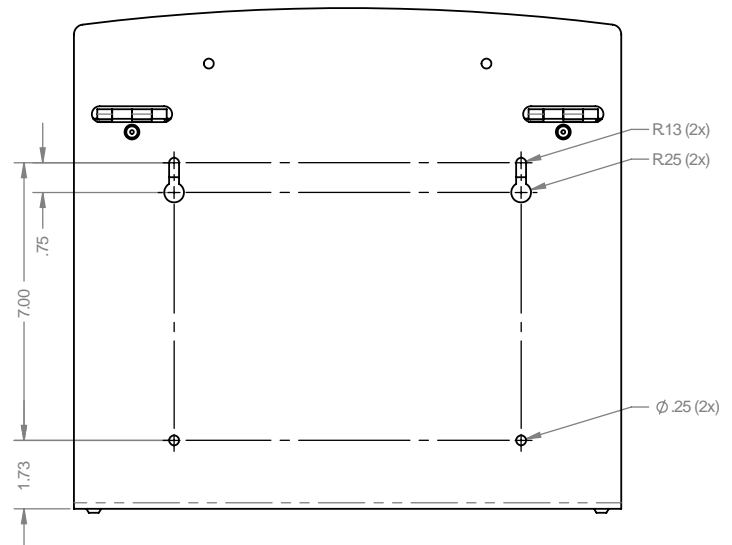
Dispenses:

- Left: Box(es) no larger than 7.75"W x 4.00"H x 4.75"D (19.7 cm x 10.2 cm x 12.1 cm)
- Right: Box(es) no larger than 5.50"W x 10.00"H x 4.75"D (14.0 cm x 25.4 cm x 12.1 cm)

Product Specifications (overall external dimensions):

- 13.65"W x 11.75"H x 5.17"D (34.7 cm x 29.8 cm x 13.1 cm)
- 4.1 lbs (1.8 kg) - approximated

Mounting Specifications:



Companion Products (each sold separately):

- MP-070: Sign Holder - Vertical (shown below left)
- MP-075: Sign Holder - Horizontal
- KS010-0412: Dual-Sided Floor Stand (shown below right)



Package Specifications:

- Package Quantity: 2 per case
- 21"L x 14"W x 10"H (53.3 cm x 35.6 cm x 25.4 cm)
- 11.0 lbs (5.0 kg) - approximated

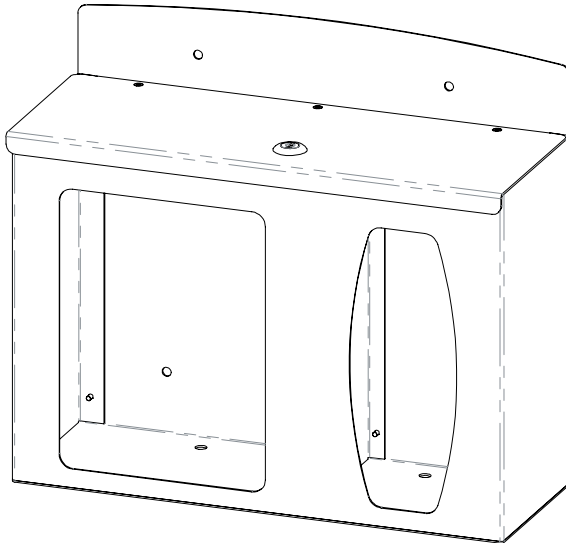




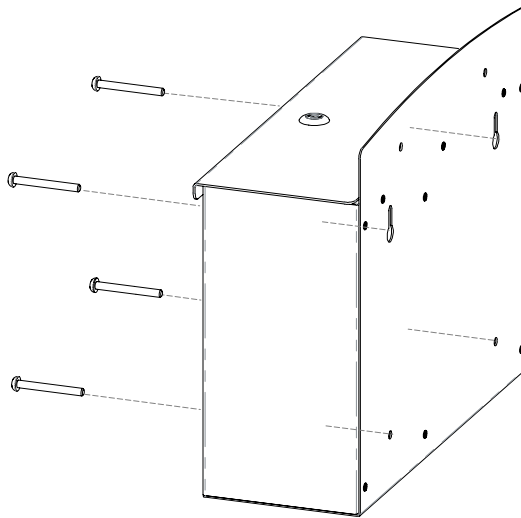
Installation

Always mount dispensers securely *prior* to loading with product.

- Locking lid over all contents.



- Mount securely to a wall with screws approved and supplied by building maintenance.



Parts included:

- Dispenser

Tools Required:

- No tools required to assemble dispenser

Care and Construction

Powder-Coated Steel

Material Characteristics

Designed for Long-Term Use

Our steel dispensers and stands are coated with polyester powders which makes them highly resistant to corrosion.

Powder-coated steel is ideal for dispensers used in a healthcare or an industrial setting because it is impact resistant and is not effected by extremes in temperature.

Dispensers and stands made of powder-coated steel are both attractive and functional, providing years of service.

Care and Cleaning

For best results, clean by washing the surface with a diluted solution of a mild, non-abrasive detergent in cold or warm water and a non-abrasive cloth. Standard hospital cleaning supplies can be used.

Dry with a soft cloth. Do not use any solvent-based materials, abrasives (e.g. Scotch-brite, steel wool), or apply excessive force during cleaning.