



MADE
IN THE USA

Accessories (each sold separately):

- TB-002: Towel Dispenser (shown below)



Product Description:

- Towel Dispenser
- Holds trifold C or Z fold towels
- Keyholes for wall mounting
- White Powder-Coated Steel

Primary Area for Product Usage:

- Anywhere paper towels are needed

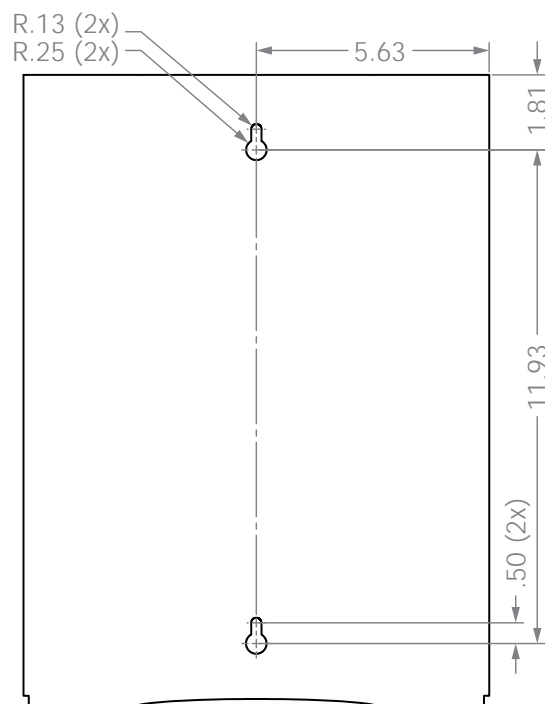
Dispenses:

- Up to 11.00"L x 3.50"W (folded-width) paper towels

Product Specifications (overall external dimensions):

- 11.25"W x 15.25"H x 3.75"D (28.6 cm x 38.7 cm x 9.5 cm)
- 3.2 lbs (1.5 kg) - approximated

Mounting Specifications:



Package Specifications:

- Package Quantity: 6 per case
 - 20"L x 16"W x 12"H (50.8 cm x 40.6 cm x 30.5 cm)
 - 21.0 lbs (9.5 kg) - approximated
- Package Quantity: 1 per case
 - 16"W x 12"H x 12"D (40.6 cm x 30.5 cm x 30.5 cm)
 - 5.0 lbs (2.3 kg) - approximated

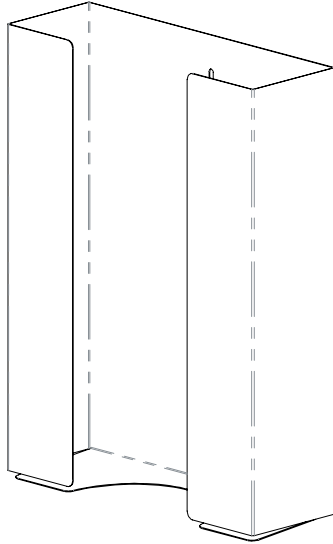




Installation

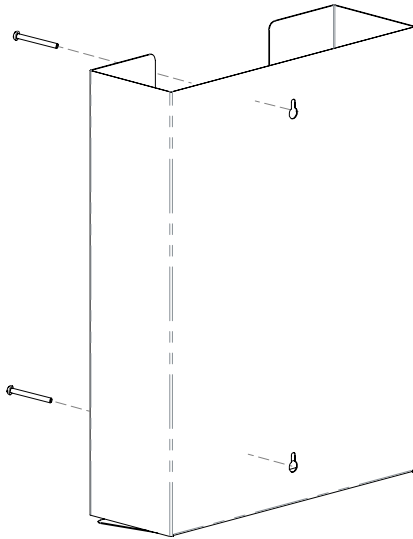
Always mount dispensers securely *prior* to loading with product.

- Cutout and angled bottom provide easy access to towels.



1

- Mount securely to a wall with screws approved and supplied by building maintenance.



2

Parts included:

- Dispenser

Tools Required:

- No tools required to assemble dispenser

Care and Construction

Powder Coated Steel

Material Characteristics

Designed for Long-Term, Heavy-Duty Applications

Dispensers and stands made of powder coated steel are both attractive and functional, providing years of service. Our powder coated steel dispensers and stands provide long-lasting products that hold up well in tough environments.

Powder coated steel is ideal for dispensers used in a healthcare or an industrial setting. It is impact resistant and is not effected by extremes in temperature.

Care and Cleaning

The powder coated finish resists common chemicals and cleaning agents and can be easily wiped clean with soap and water.