



Consumable Data Collection Form

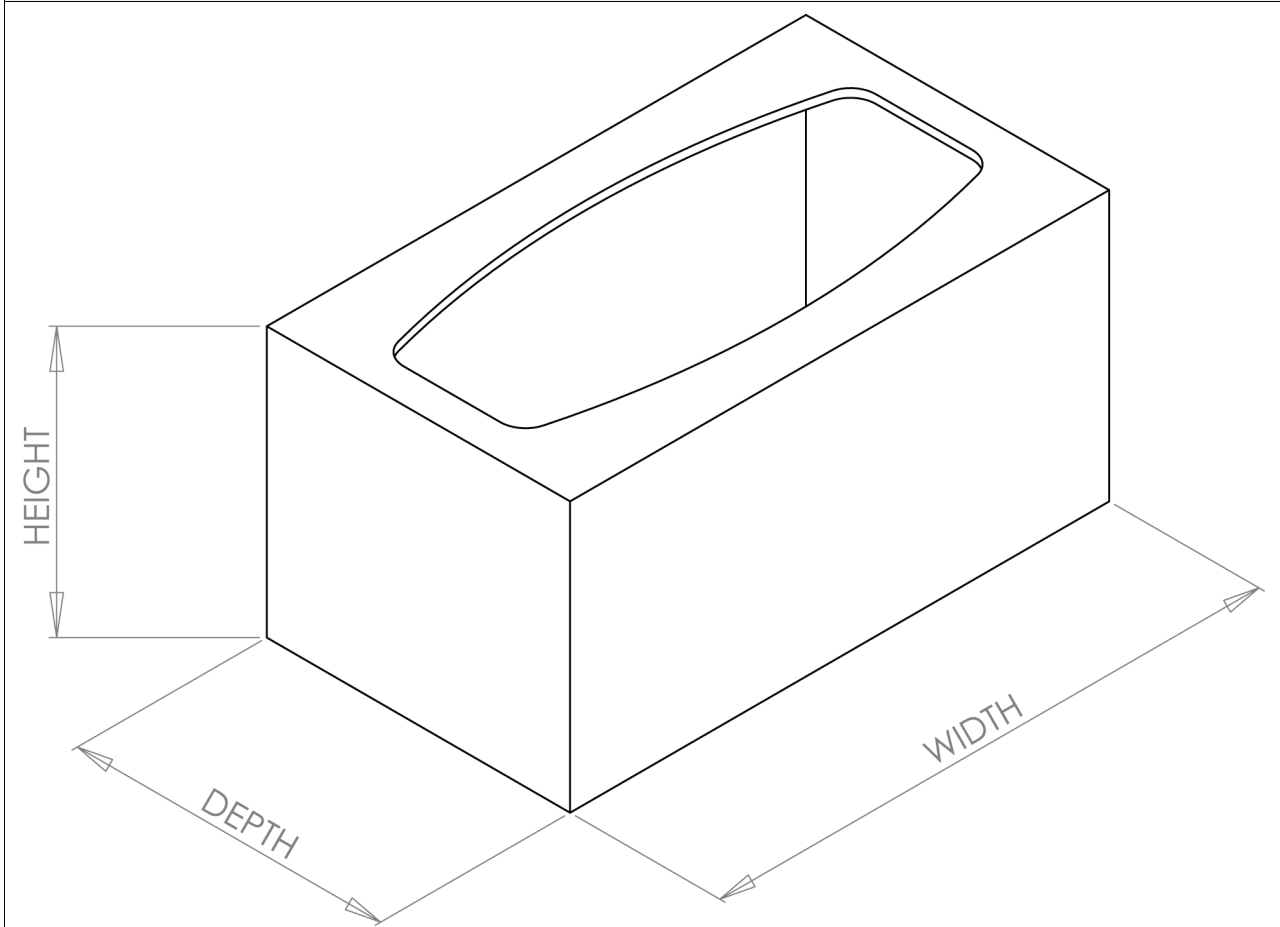
Form Purpose:

To gather critical information to aid design and development of new product and to identify existing Bowman product solutions.

Duties:

- Hold the consumable with the opening facing up as illustrated in the figure below.
- Measure Height, Width and Depth, rounding up to the nearest 1/8" (.125")

Height, Width and Depth



Manufacturer:		Width: (inches)	
Description / Name:		Height: (inches)	
Part Number:		Depth: (inches)	
Date:		Contact Name:	

<p>Notes:</p>	<p>Please Return via Fax or E-mail to: (360) 618-5519 or heather@bowmanmfg.com Subject Line: Consumable Data Form Attention: Heather Knorr</p>
---------------	--