



MADE IN THE USA

Product Description:

- Protective Wear Dispenser - Apron/Gown
- Holds a single roll of aprons or gowns up to 15.00" long and 4.00" in diameter
- Two-way keyholes for vertical or horizontal wall mounting
- Quartz Beige ABS Plastic

Primary Area for Product Usage:

- Anywhere rolls of aprons or gowns are needed

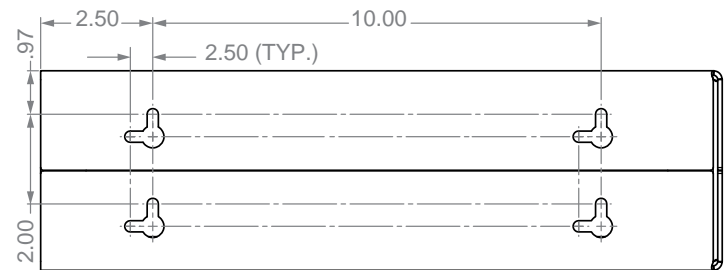
Dispenses:

- Single roll of disposable aprons or gowns
- Rolls no larger than 15.00"W x Ø4.00" (38.2 cm x 10.2 cm) and less than 5 lbs. (2.3 kg)

Product Specifications (overall external dimensions):

- 15.20"W x 4.45"H x 4.45"D (38.6 cm x 11.3 cm x 11.3 cm)
- 1.0 lbs (0.4 kg) - approximated

Mounting Specifications:



Alternative Products (each sold separately):

- PS040-0212: Protective Wear Organizer - Apron/Gown



Package Specifications:

- Package Quantity: 4 per case
 - 16"W x 12"H x 12"D (40.6 cm x 30.5 cm x 30.5 cm)
 - 5.0 lbs (2.3 kg) - approximated
- Package Quantity: 1 per case
 - 23"W x 6"H x 8"D (58.4 cm x 15.2 cm x 20.3 cm)
 - 2.0 lbs (0.9 kg) - approximated

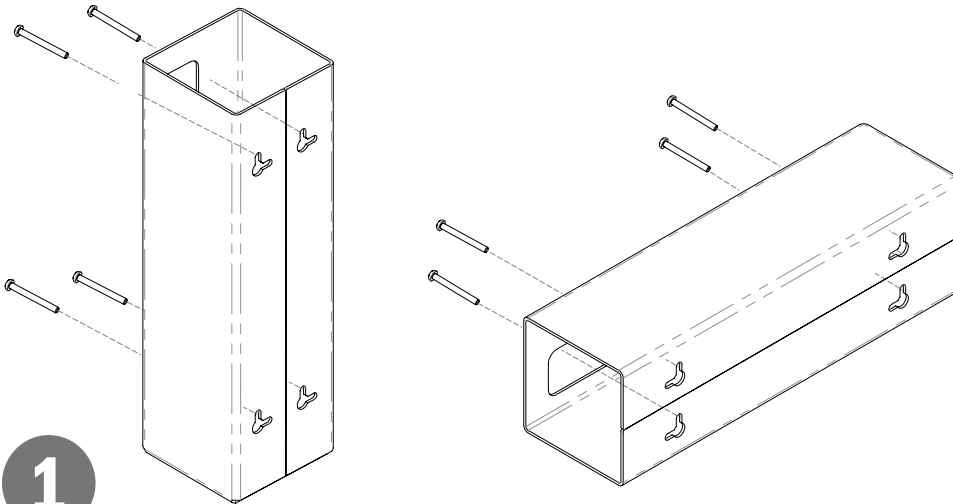




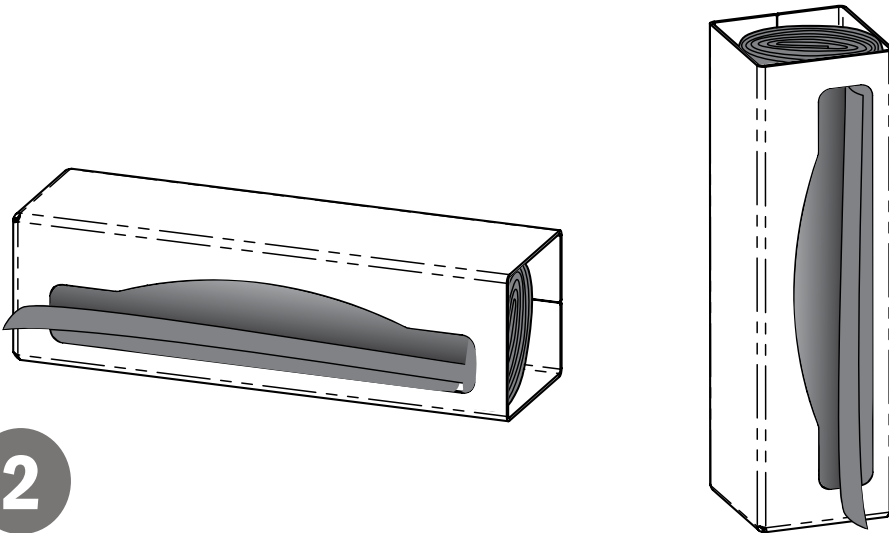
Installation

Always mount dispensers securely *prior* to loading with product.

- Mount securely to a wall with screws approved and supplied by building maintenance.

**1**

- Insert roll so the dispensing apron is coming through the bottom of the cutout.

**2****Parts included:**

- Dispenser

Tools Required:

- No tools required to assemble dispenser

Care and Construction

ABS Plastic**Material Characteristics****Designed for Long-Term, Heavy-Duty Applications**

The combination of copolymers (Acrylonitrile, Butadiene, and Styrene) gives ABS an excellent combination of strength, rigidity, and toughness.

ABS is chemical, stress-crack resistant, dimensionally stable, and will hold up to long-term use. It possesses high strength and performance characteristics at a reasonable cost.

Care and Cleaning

Use mild soap and water to clean. Petroleum-based oils, solvents, and paints should not be used.

Standard hospital cleaning supplies are approved for use on our ABS plastic products.