



MADE IN THE USA

Product Description:

- Protection System - Surgical
- Holds a variety of protective apparel in four compartments, O.R. coveralls/jumpsuits or gowns, and a variety of medical supplies in built-in storage area
- Removable shelf for one large storage area
- Keyholes for wall mounting
- Quartz Beige ABS Plastic

Primary Area for Product Usage:

- All patient care areas requiring personal protective equipment and isolation supplies: in addition; oncology clinics, dialysis centers and clinic exam areas

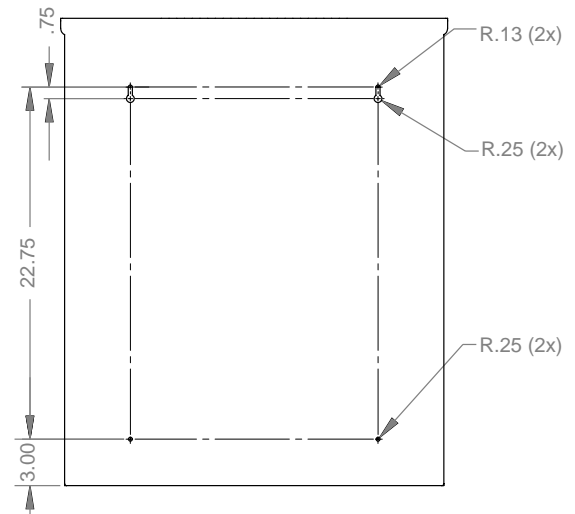
Dispenses:

- Left and Right Sides: Four side-loading bins, each measuring 6.03"W x 14.75"H x 6.00"D (15.3 cm x 37.5 cm x 15.2 cm)
- Center Top: Folded coveralls up to 12.25"W x 15.00"H x 6.00"D (31.1 cm x 38.1 cm x 15.2 cm)
- Center Bottom: Two smaller shelves or one large storage area for miscellaneous medical supplies:
 - As separate compartments (2x): 10.80"W x 7.88"H x 6.00"D (27.4 cm x 20.0 cm x 15.2 cm)
 - As one large storage area: 10.80"W x 15.00"H x 6.00"D (27.4 cm x 38.1 cm x 15.2 cm)

Product Specifications (overall external dimensions):

- 25.00"W x 30.19"H x 6.75"D (63.5 cm x 76.7 cm x 17.1 cm)
- 11.7 lbs (5.3 kg) - approximated

Mounting Specifications:



Package Specifications:

- Package Quantity: 1 per case
 - 27"L x 8"W x 32"H (68.6 cm x 20.3 cm x 81.3 cm)
 - 14.0 lbs (6.4 kg) - approximated

Alternate Uses (shelf included):

- Shelf is removable to convert two smaller compartments to one large storage area



With Shelf

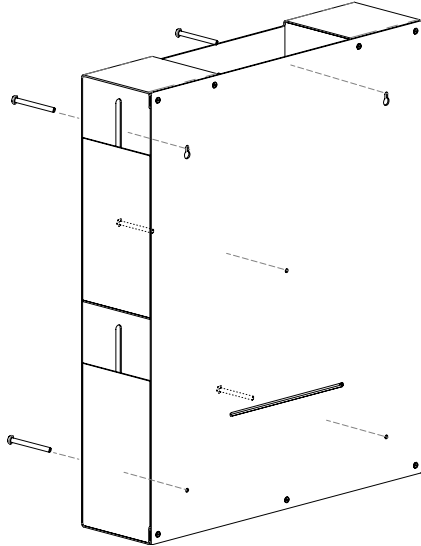




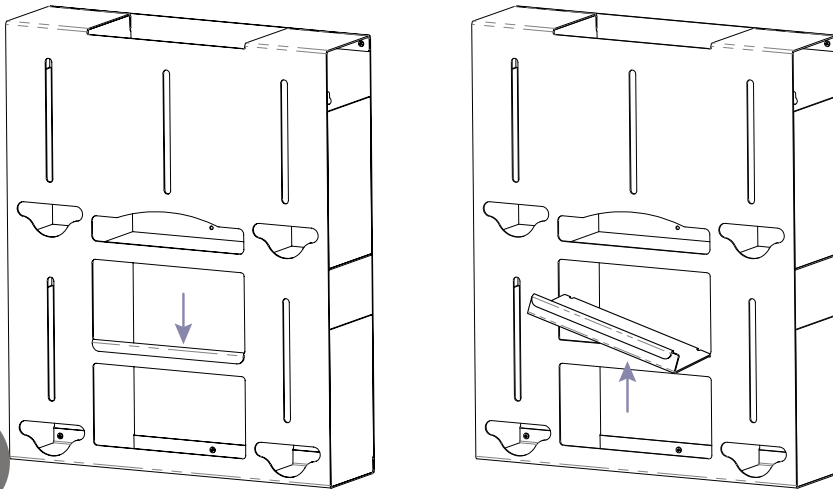
Installation

Always mount dispensers securely *prior* to loading with product.

- Mount securely to a wall with screws approved and supplied by building maintenance.



- To remove shelf, grip shelf lip at center, lift and tilt.
- Pull the shelf through the front, creating one large storage area.



Parts included:

- Dispenser

Tools Required:

- No tools required to assemble dispenser

Care and Construction

ABS Plastic

Material Characteristics

Designed for Long-Term Heavy-Duty Applications

The combination of copolymers (Acrylonitrile, Butadiene, and Styrene) gives ABS an excellent combination of strength, rigidity, and toughness.

ABS is chemical and stress-crack resistant. It is tough, dimensionally stable, and will hold up to long-term use. It possesses high strength and performance characteristics at a reasonable cost.

Care and Cleaning

Use mild soap and water to clean. Petroleum-based oils, solvents, and paints should not be used.

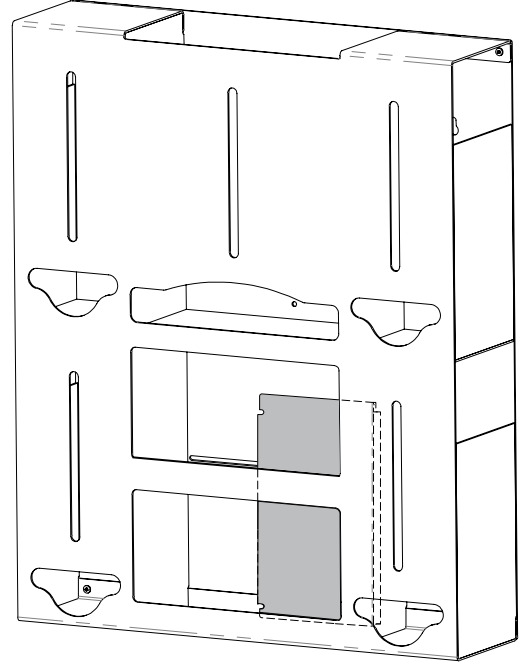
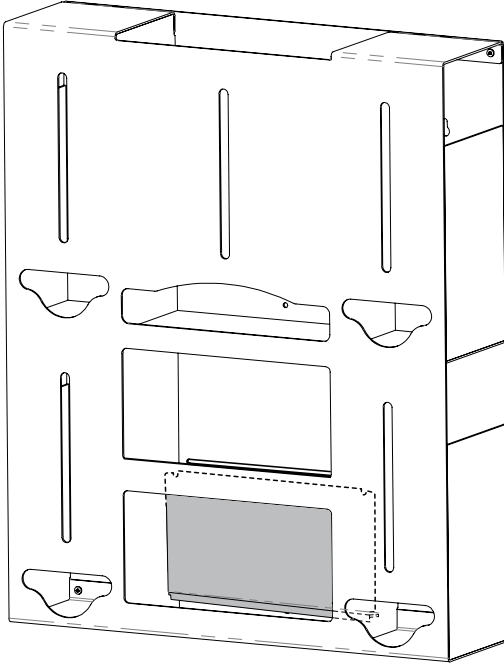
Standard hospital cleaning supplies can be used.



Installation

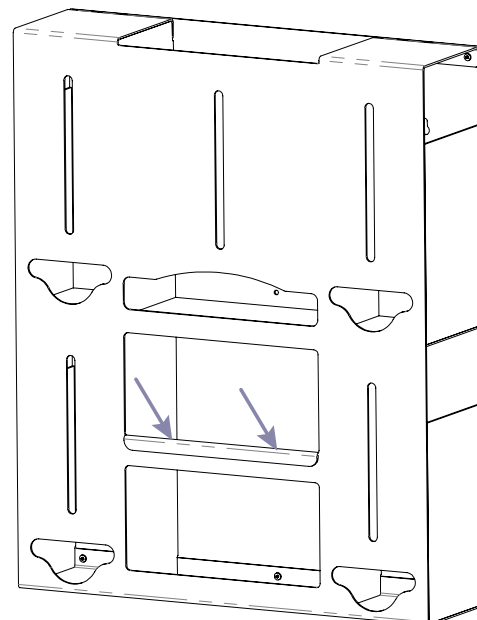
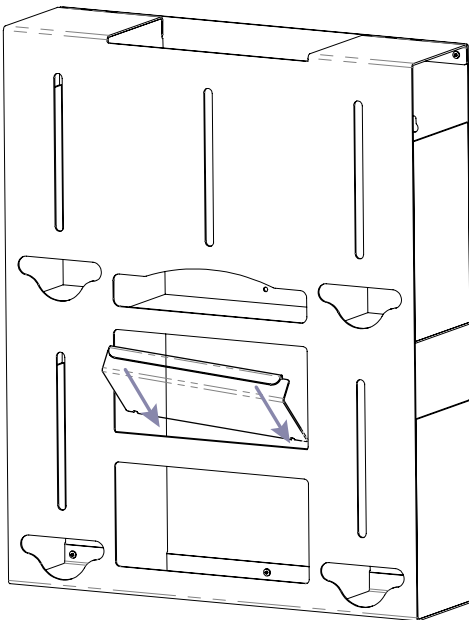
Always mount dispensers securely *prior* to loading with product.

- When not in use, the shelf can be stored inside the unit in the same area, behind the dispensed product, either horizontally or vertically, as shown.



1

- To re-insert the shelf, fit back edge of the shelf into the notched back of the organizer through the top section.
- Lower the shelf lip to rest on the front edge of the opening.



2